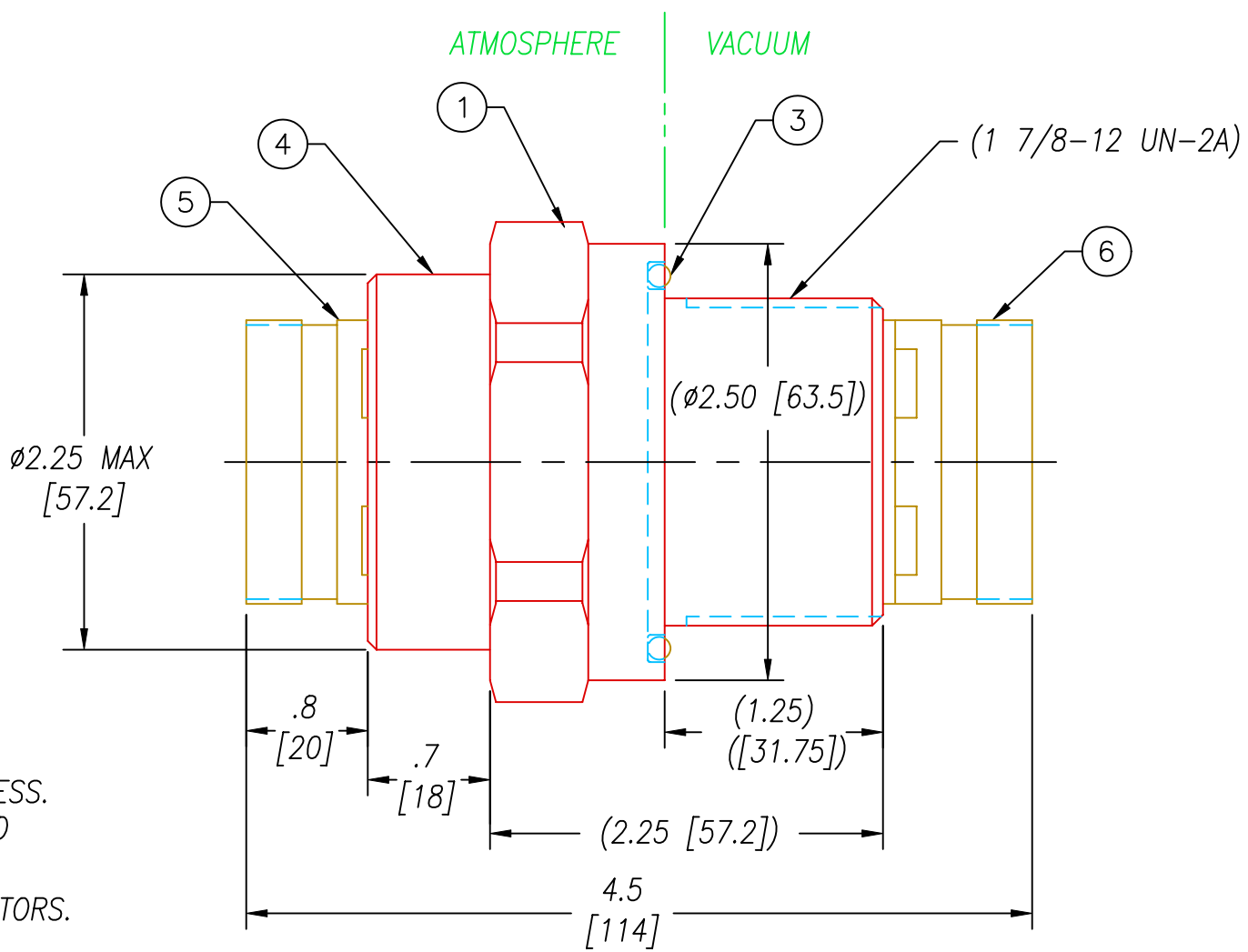
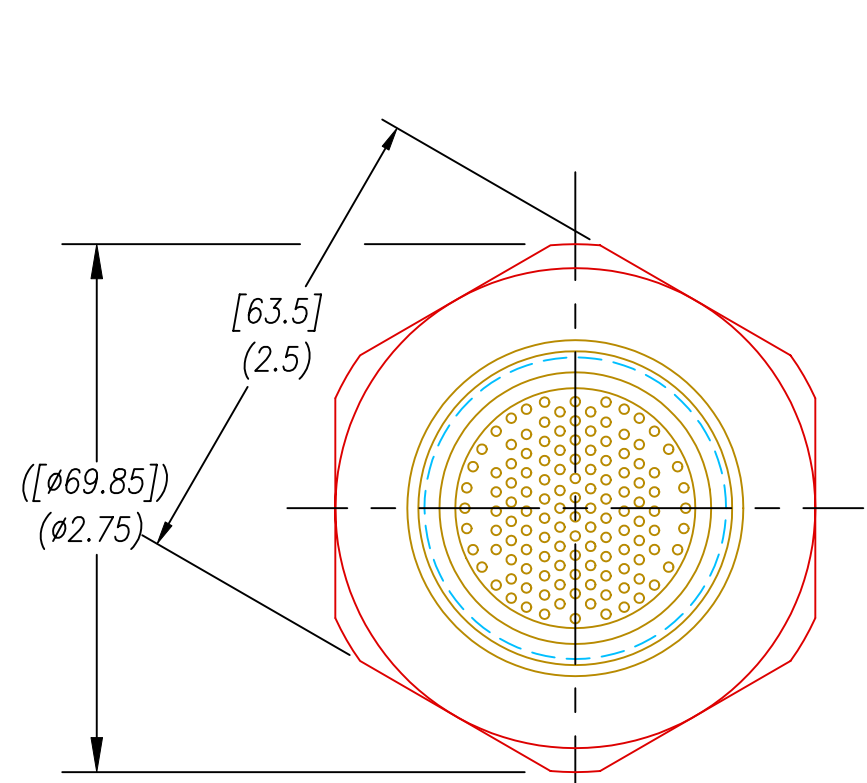
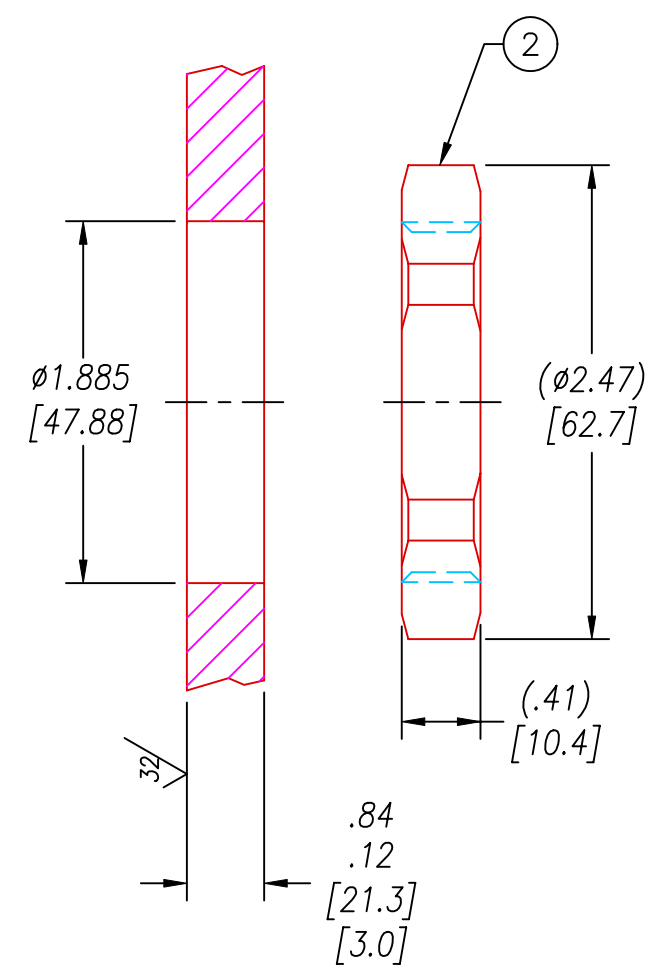


3567*-1	20FJ35P*	20FJ35S*	26FJ35P*	26FJ35S*	-226 TEFLON	ORING -226 TEFLON
3567C	20FJ35PC	20FJ35SC	26FJ35PC	26FJ35SC	-226 VITON	O-RING -226 VITON 75
3567B	20FJ35PB	20FJ35SB	26FJ35PB	26FJ35SB	-226 VITON	O-RING -226 VITON 75
3567A	20FJ35PA	20FJ35SA	26FJ35PA	26FJ35SA	-226 VITON	O-RING -226 VITON 75
3567	20FJ35PN	20FJ35SN	26FJ35PN	26FJ35SN	-226 VITON	O-RING -226 VITON 75
PAVE #	ITEM 5	ITEM 6	ITEM 7	ITEM 8	ITEM 3	ITEM 3 DECSRIPTION



VS26 INSTALLATION PORT



- NOTES:
1. LEAK TEST: HE LEAK TEST @ 1 ATM.  $10 \times 10^{-7}$  CC/S OR LESS.
  2. HYPOT 630 VDC 500 MΩ 0.01 SEC MINIMUM, CONDUCTOR TO CONDUCTOR & HOUSING W/MATING CONNECTORS.
  3. CONTINUITY TEST: < 1 Ω PIN TO SOCKET W/MATING CONNECTORS.
  4. ALL TESTS ARE PERFORMED AT ROOM TEMPERATURE.
  5. ALL PARTS MUST PASS ALL TESTS.
  6. ITEMS 7, 8 & 9 INCLUDED (NOT SHOWN) UNLESS "NP" IS ADDED TO THE PAVE PART NUMBER.
  7. ADDING -1 TO THE PAVE PART NUMBER CHANGES THE O-RING MATERIAL TO TEFLON & LOWERS THE OPERATING TEMPERATURE RANGE.
  8. VOIDS LARGER THAN ø.035 [.89] ARE NOT ACCEPTABLE.
  9. DIMENSIONS ARE INCHES [millimeters].
  10. OPERATING TEMPERATURE RANGE:  
FOR 3567 & 3567\*: -20°C TO 125°C.  
FOR 3567-1 & 3567\*-1: -60°C TO 121°C.
  11. ALCOHOL OR FOMBLIN YVAC 3 MAY BE USED TO LUBE O-RINGS FOR VACUUM HELIUM LEAK TESTING.

9	2	M85049/38-25N	STRAIN RELIEF 999 25
8	1	SEE TABLE	PLUG 128#22
7	1	SEE TABLE	PLUG 128#22
6	1	SEE TABLE	RCPT 128#22 SOC
5	1	SEE TABLE	RCPT 128#22 PIN
4	A/R	PAVE-Seal 150	EPOXY BLACK
3	1	SEE TABLE	SEE TABLE
2	1	0185	NUT VS26-SS
1	1	1531	HOUSING VS26-SS
ITEM	QTY	PART#	DESCRIPTION

ALL DIMENSIONS AND TOLERANCES APPLY TO FINISHED PART IN INCHES  
ALLOWABLE TOLERANCES UNLESS SPECIFIED OTHERWISE: NONE +/-0.5  
.X DECIMAL +/- 0.1 .XX DECIMAL +/- 0.02 .XXX DECIMAL +/-0.005  
ANGLES +/- 1 DEG SURFACE FINISH 128 microinch RMS

**PAVE technology co.**  
2751 Thunderhawk Court  
Dayton, Ohio 45414-3445  
U.S.A.  
(937)890-1100  
fax (937)890-5165  
www.pavetechnologyco.com

DESCRIPTION PAVE-Mate® I Connectors  
**VS26-SS-150-128-22-99920PS**

PART NUMBER **3567\*** \*SEE TABLE & NOTES 6 & 7  
REVISION LEVEL **D**  
PROJECTION