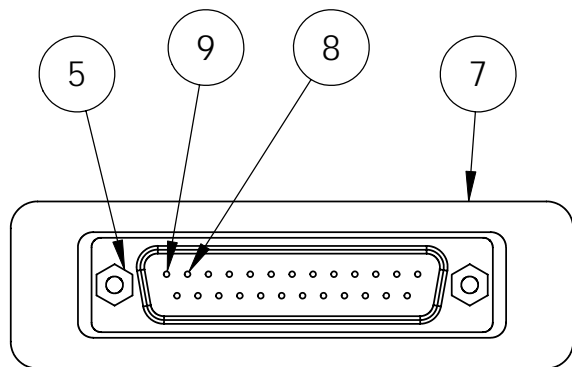
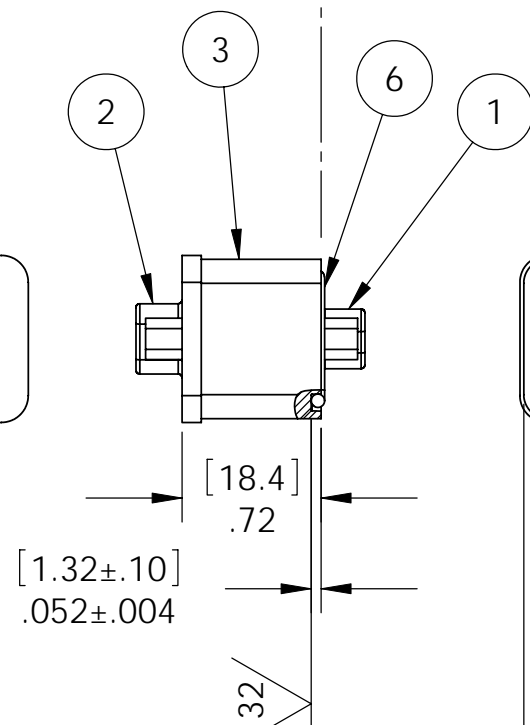


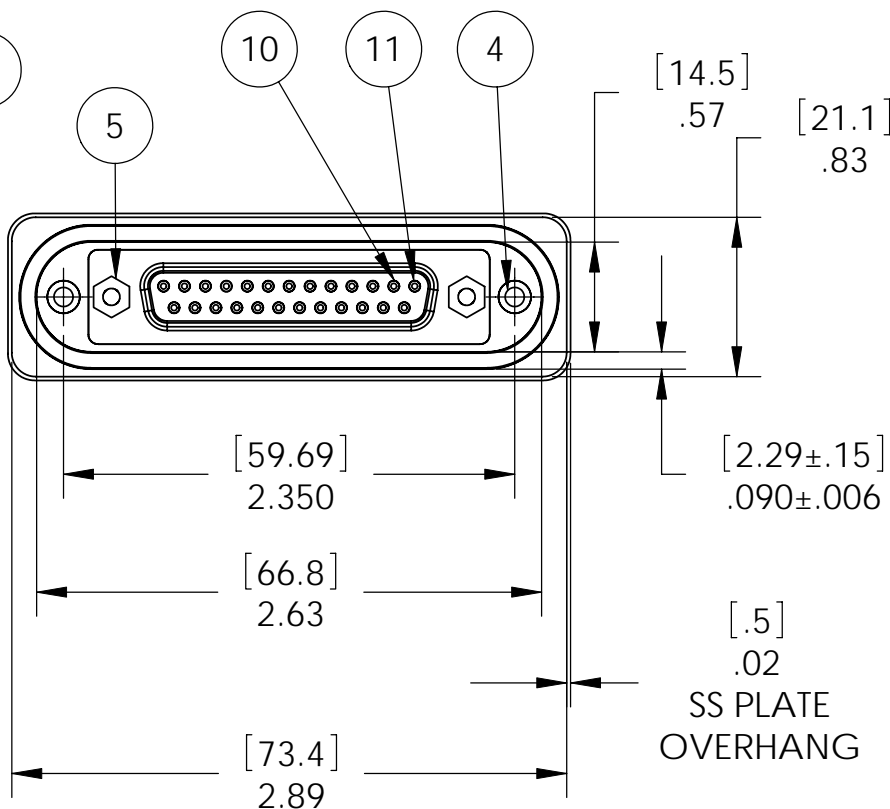
SEE NOTE 10



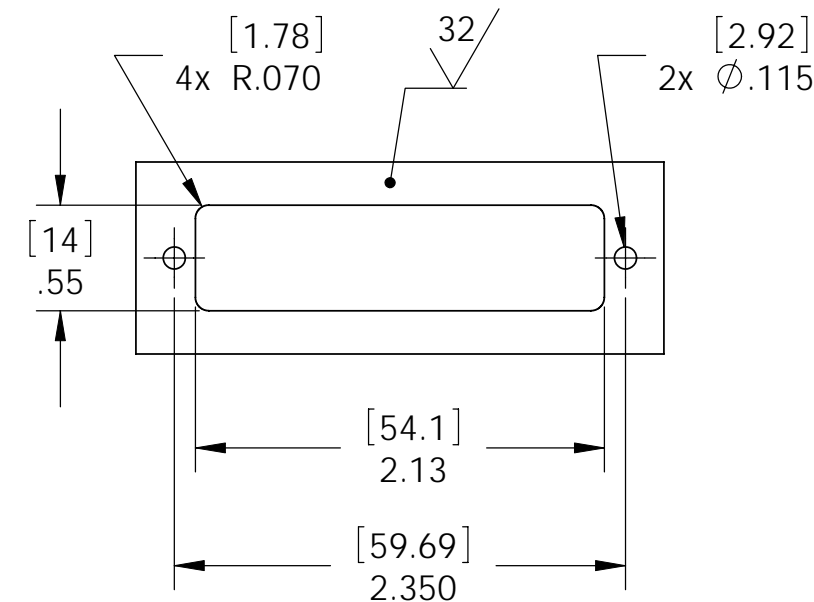
ATMOSPHERE | VACUUM



SEE NOTE 10



INSTALLATION PORT



NOTES:

1. HE LEAK TEST VACUUM 10×10^{-7} CC/SEC OR LESS.
2. HYPOT 630 VDC 500 MEGOHMS MINIMUM 0.01 SECOND MINIMUM WIRE TO WIRE AND RECEPTACLE FLANGES.
3. ALL TESTS ARE PERFORMED AT ROOM TEMPERATURE.
4. ALL PARTS MUST PASS ALL TESTS.
5. NO VOIDS ARE ACCEPTABLE ON O-RING SEALING SURFACES, VOIDS SMALLER THAN $\phi .035$ [.89] ARE ACCEPTABLE ON ALL OTHER SURFACES.
6. CONTINUITY TEST $< .5$ Ohms PINS TO SOCKETS.
7. REF-OPERATING TEMPERATURE -20°C TO 105°C .
8. DIMENSIONS ARE INCHES [millimeters].
9. PAVE-Mate CAN BE A BI-DIRECTIONAL HERMETIC SEAL FOR VACUUM AND MOST PRESSURES. FOR PRESSURES ABOVE 150 PSI (10 BAR), CHECK WITH SALES ENGINEERING.
10. EVEN NUMBER CONTACTS ARE ALOMEGA(-) AND ODD NUMBER CONTACTS ARE CHROMEL(+).

11	13	SMTC-CH-S	CONTACT #20 CRIMP TYPE K CHROMEL SOC
10	12	SMTC-AL-S	CONTACT #20 CRIMP TYPE K ALOMEGA SOC
9	13	SMTC-CH-P	CONTACT #20 CRIMP TYPE K CHROMEL PIN
8	12	SMTC-AL-P	CONTACT #20 CRIMP TYPE K ALOMEGA PIN
7	1	3420PG2C	PLATE TOP SS
6	1	-032 VITON	O-RING -032 VITON 75
5	4	JACKPOST 4-40	"P" STYLE 4-40 UNC
4	2	YARDLEY#440A5-8	THREADED INSERT SS
3	A/R	PAVE-Seal 150	EPOXY BLACK
2	1	H009-25R	PLUG D-SUB 25 PIN
1	1	H010-25R	RCPT D-SUB 25 SOCKET
ITEM	QTY	PART NUMBER	DESCRIPTION



DESCRIPTION
SP46/13-E-150-25-20-DSUB-DSUB TYPE K CONTACTS

PART NUMBER
3714

MATERIAL NOTED

REVISION LEVEL -

PROJECTION

ALL DIMENSIONS AND TOLERANCES APPLY TO FINISHED PART IN INCHES.
ALLOWABLE TOLERANCES UNLESS SPECIFIED OTHERWISE: NONE ± 0.5
X.X DECIMAL ± 0.1 X.XX DECIMAL ± 0.02 X.XXX DECIMAL ± 0.005
ANGLES ± 1 DEGREE SURFACE FINISH 128 microinch RMS