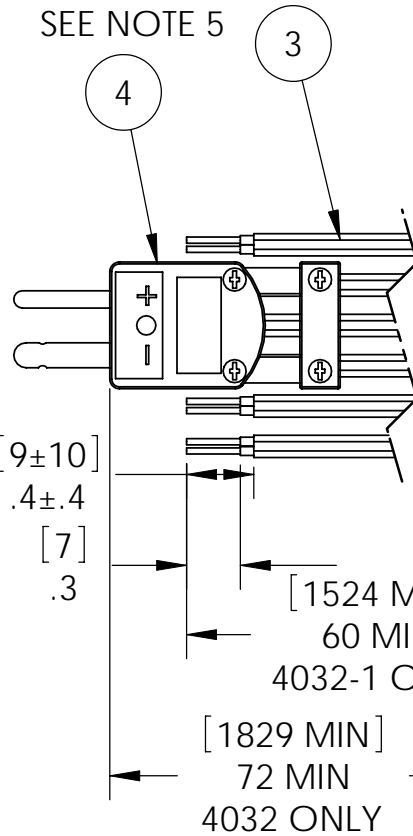
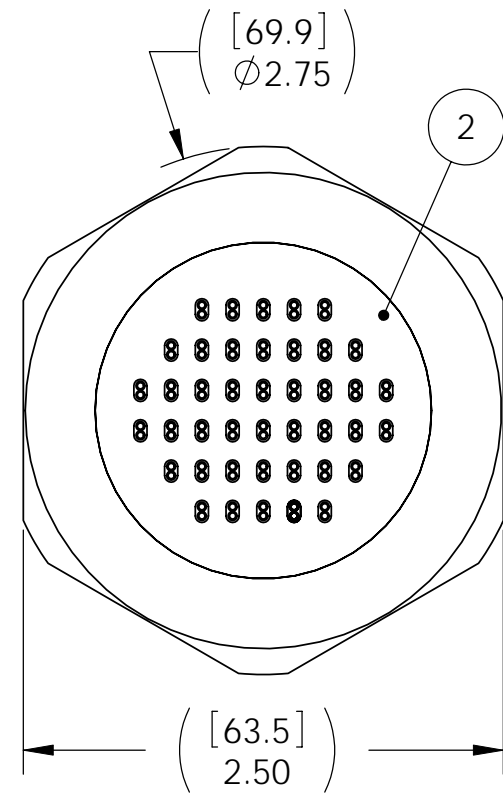
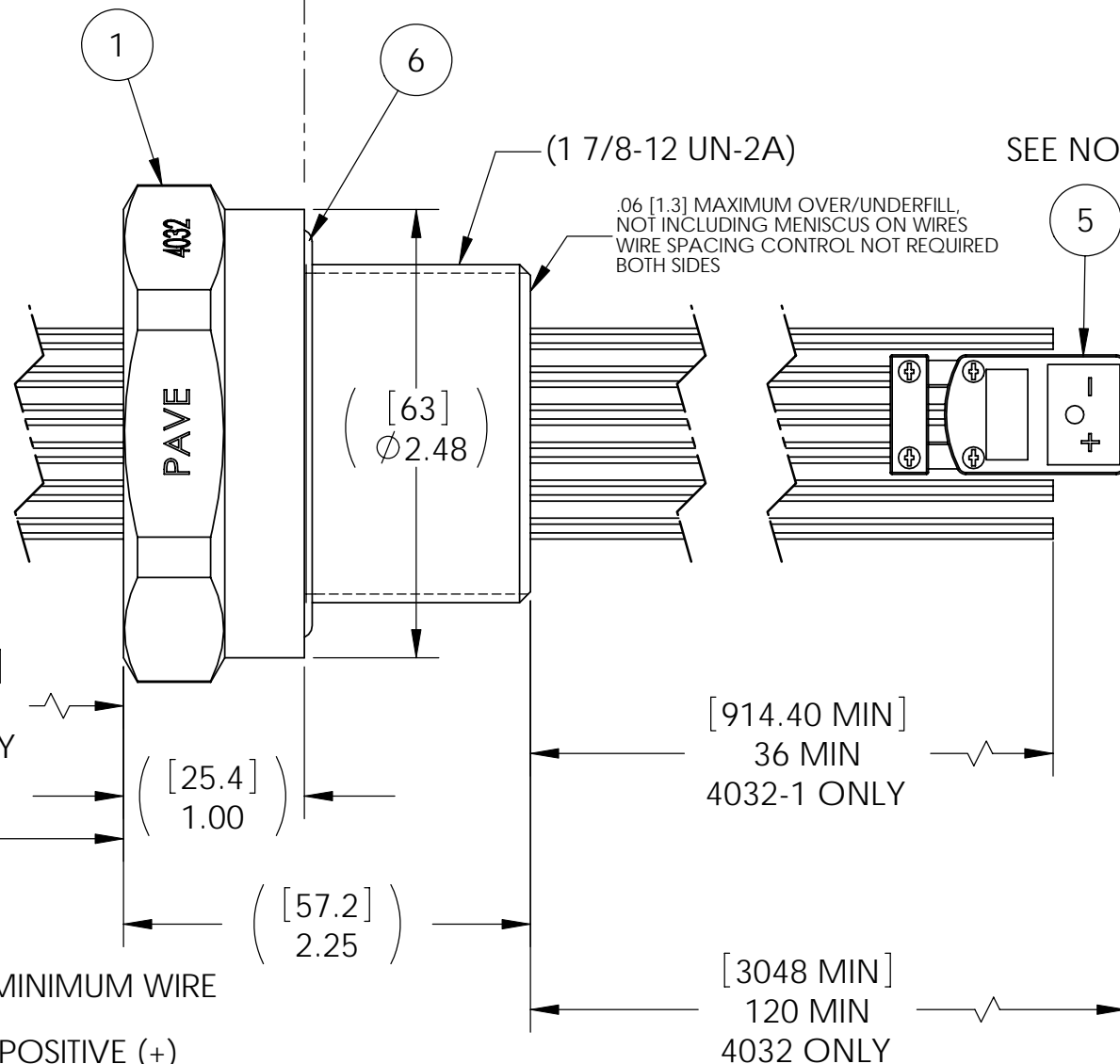


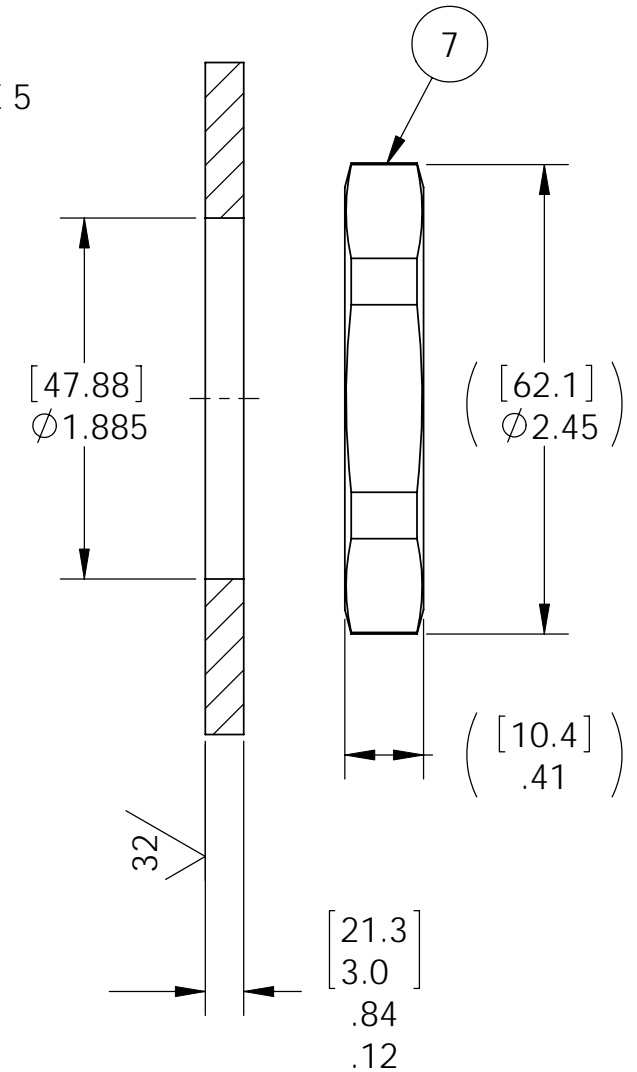
REMAINING CONNECTORS NOT SHOWN FOR CLARITY IN ALL VIEWS, SEE NOTE 4



ATMOSPHERE | VACUUM



VS26 INSTALLATION PORT



NOTES:

1. HE LEAK TEST @ 1 ATM 10x10⁻⁶ CC/SEC OR LESS.
2. HYPOT 630 VDC 500 MEGOHMS MINIMUM 0.01 SECOND MINIMUM WIRE TO WIRE AND HOUSING WITH MATING CONNECTORS.
3. THE BLUE LEAD FROM ITEM 3 WILL BE CONNECTED TO THE POSITIVE (+) TERMINAL & THE RED LEAD WILL BE CONNECTED TO THE NEGATIVE (-) TERMINAL OF ITEMS 4 & 5 FOR PART NUMBER 4032 ONLY.
4. THERE MUST BE A MINIMUM OF 40 OF ITEM 3, EACH ONE WILL BE CONNECTORIZED ON BOTH ENDS AS SHOWN FOR PART NUMBER 4032. SPARE THERMOCOUPLES WILL NOT BE CONNECTORIZED.
5. ITEMS 4 & 5 NOT INCLUDED WITH 4032-1.
6. ALL TESTS ARE PERFORMED AT ROOM TEMPERATURE.
7. ALL PARTS MUST PASS ALL TESTS.
8. WIRE POSITIONING IS APPROXIMATE & VARIABLE.
9. VOIDS LARGER THAN Ø .035 [.89] ARE NOT ACCEPTABLE.
10. REF-OPERATING TEMPERATURE -20°C TO 125°C.
11. DIMENSIONS ARE INCHES [millimeters].
12. PAVE-SEAL CAN BE A BI-DIRECTIONAL HERMETIC SEAL FOR VACUUM AND MOST PRESSURES. FOR PRESSURES ABOVE 150 PSI (10 BAR), CHECK WITH SALES ENGINEERING.

PAVE#	DESCRIPTION
4032-1	VS26-SS-150-40P-TT20-60-36
4032	VS26-SS-150-40P-TT20-72T-120T

ITEM	QTY	PART NUMBER	DESCRIPTION
7	1	0185	NUT VS26-SS
6	1	-226 VITON	O-RING -226 VITON 75
5	40	SMPW-CC-T-F	CONNECTOR FEMALE TYPE T GLASS FILLED NYLON W/WINDOW & SR
4	40	SMPW-CC-T-M	CONNECTOR MALE TYPE T GLASS FILLED NYLON W/WINDOW & SR
3	42	TT20	CABLE T/C TYPE T #20 TEFLON FEP
2	A/R	PAVE-Seal 150	EPOXY BLACK
1	1	1531	HOUSING VS26-SS

PAVE technology co.

2751 Thunderhawk Court
Dayton, OH 45414-3445
U.S.A.
tel (937) 890-1100
fax (937) 8905165
www.pavetechnologyco.com

DESCRIPTION
SEE TABLE

PART NUMBER
4032

MATERIAL
NOTED

REVISION LEVEL
A

PROJECTION
⊙ ◻

ALL DIMENSIONS AND TOLERANCES APPLY TO FINISHED PART IN INCHES.
ALLOWABLE TOLERANCES UNLESS SPECIFIED OTHERWISE: NONE ±0.5
X.X DECIMAL ±0.1 X.XX DECIMAL ±0.02 X.XXX DECIMAL ±0.005
ANGLES ±1 DEGREE SURFACE FINISH 128 microinch RMS