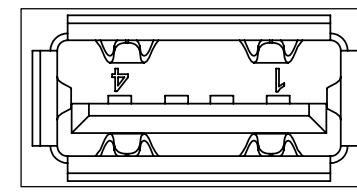


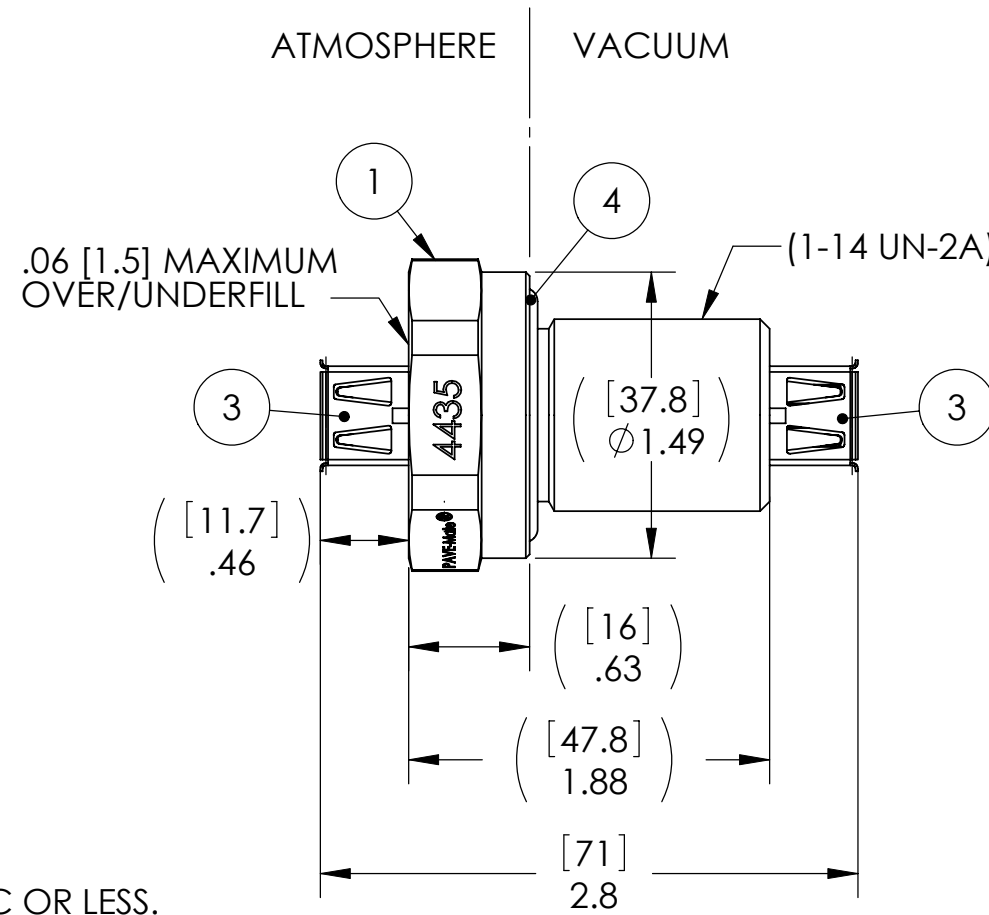
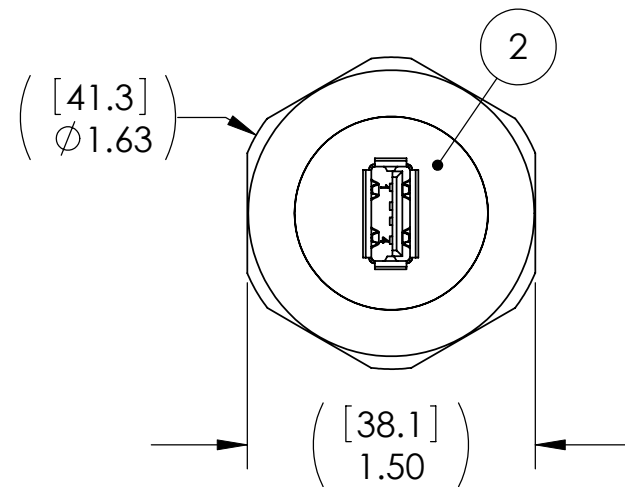
VACUUM/FEMALE
PIN LOCATION
SCALE: 3:1

ATMOSPHERE	VACUUM
PIN1	PIN1
PIN2	PIN2
PIN3	PIN3
PIN4	PIN4

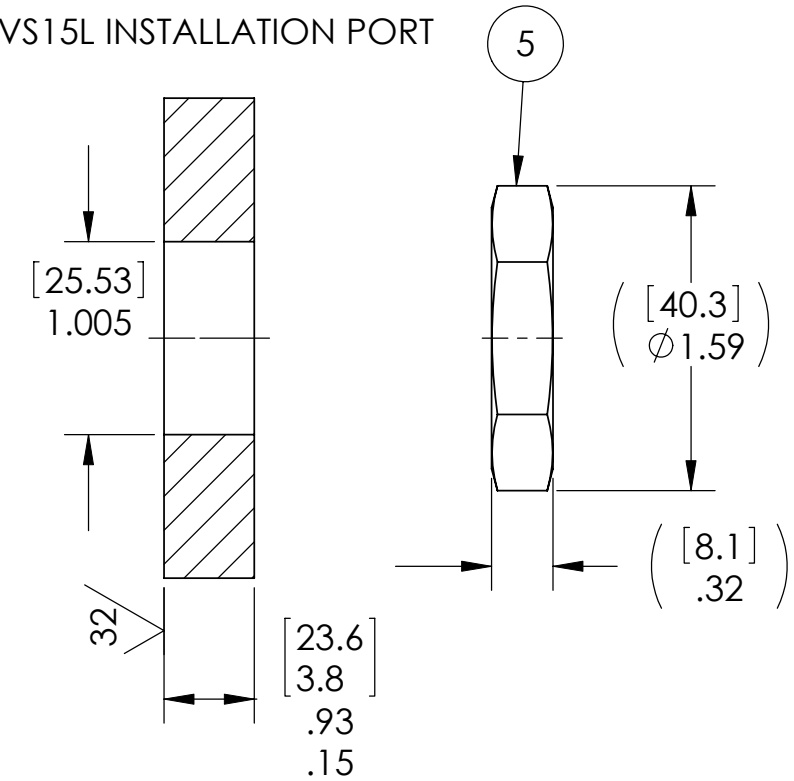
PIN-OUT CHART



VACUUM/FEMALE
PIN LOCATION
SCALE: 3:1



VS15L INSTALLATION PORT



NOTES:

- HE LEAK TEST @ 1 ATM. 10×10^{-7} CC/SEC OR LESS.
- HYPOT 630 VDC 500 MEGOHMS MINIMUM 0.01 SECOND MINIMUM PIN TO PIN AND HOUSING WITH MATING CONNECTORS.
- CONTINUITY CHECK $<.5\Omega$ PIN TO PIN PER CHART.
- ALL TESTS ARE PERFORMED AT ROOM TEMPERATURE.
- ALL PARTS MUST PASS ALL TESTS.
- COSMETIC SURFACE VOIDS SMALLER THAN $\phi 0.035$ $[.89]$ ARE ACCEPTABLE.
- REF-OPERATING TEMPERATURE -20°C TO 85°C .
- PAVE-SEAL CAN BE A BI-DIRECTIONAL HERMETIC SEAL FOR VACUUM AND MOST PRESSURES. FOR PRESSURES ABOVE 150 PSI (10 BAR), CHECK WITH SALES ENGINEERING.
- DIMENSIONS ARE INCHES [millimeters].

ITEM	QTY	PART NUMBER	DESCRIPTION
5	1	0183	NUT VS15-SS
4	1	-215 VITON	O-RING -215 VITON 75
3	2	KUSBVX-AS-1-N-B30	RCPT USB A-TYPE PCBV 4 POS 30u" Au
2	A/R	PAVE-Seal 150	EPOXY BLACK
1	1	0161	HOUSING VS15L-SS

PAVE technology co.
 2751 Thunderhawk Court
 Dayton, OH 45414-3445
 U.S.A.
 tel (937) 890-1100
 fax (937) 8905165
 www.pavetechnologyco.com

DESCRIPTION
VS15L-SS-150-1-USBAfemale-USBAfemale

PART NUMBER
4435

MATERIAL NOTED
REVISION LEVEL A



ALL DIMENSIONS AND TOLERANCES APPLY TO FINISHED PART IN INCHES.
 ALLOWABLE TOLERANCES UNLESS SPECIFIED OTHERWISE: NONE ± 0.5
 X.X DECIMAL ± 0.1 X.XX DECIMAL ± 0.02 X.XXX DECIMAL ± 0.005
 ANGLES ± 1 DEGREE SURFACE FINISH 128 microinch RMS