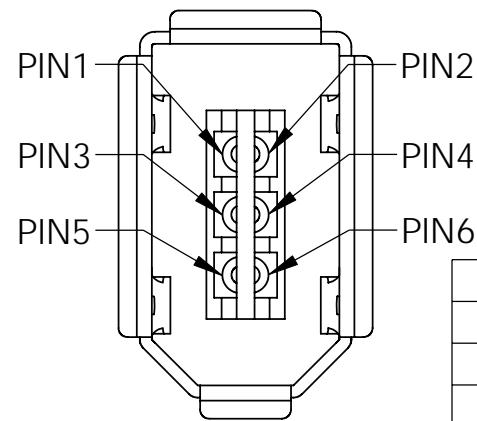


IEEE 1394  
PIN POSITION  
SCALE: 4:1



PIN-OUT CHART

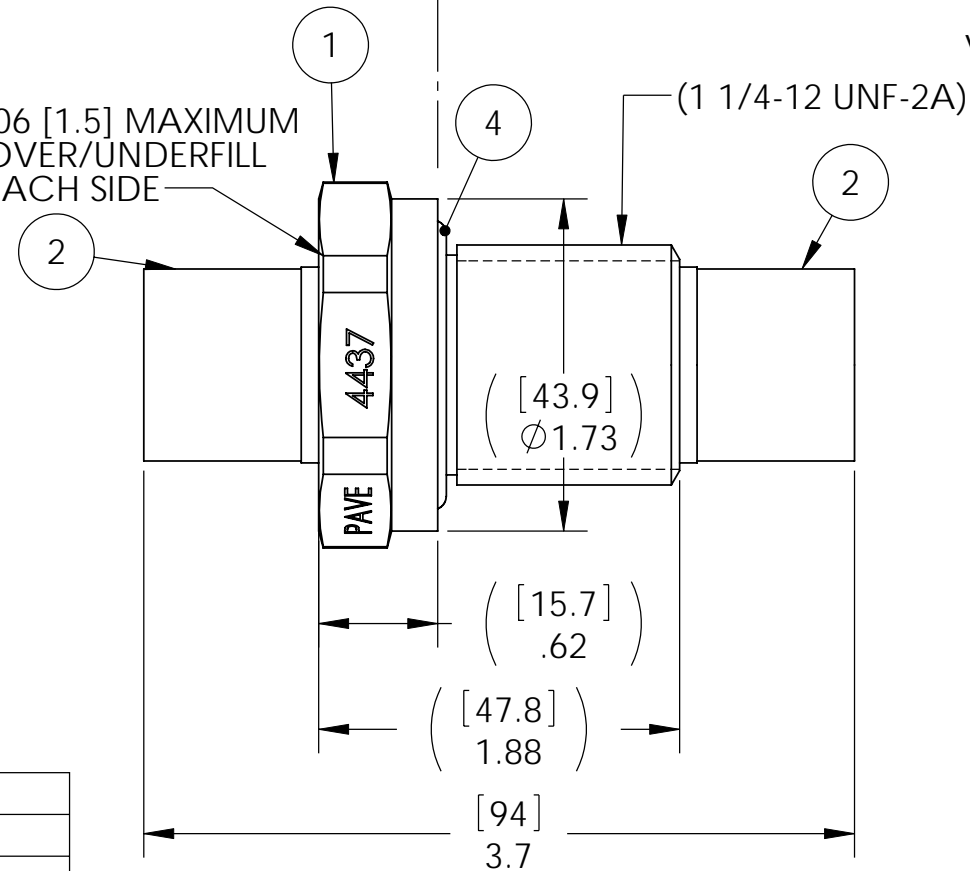
ATMOSPHERE	VACUUM
PIN1	PIN1
PIN2	PIN2
PIN3	PIN5
PIN4	PIN6
PIN5	PIN3
PIN6	PIN4

NOTES:

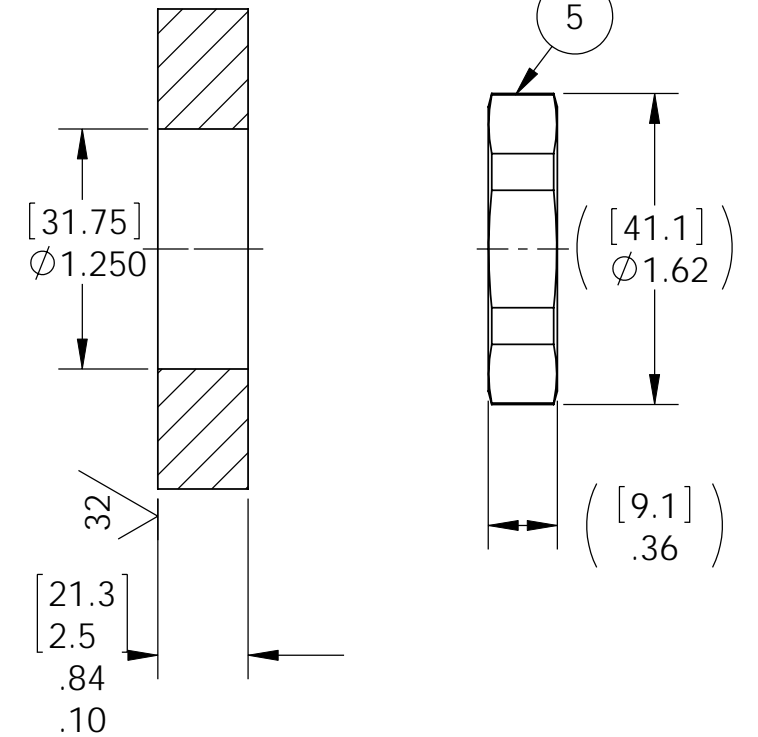
1. HE LEAK TEST VACUUM  $10 \times 10^{-7}$  CC/SEC OR LESS.
2. HYPOT 630 VDC 500 MEGOHMS MINIMUM 0.01 SECOND MINIMUM PIN TO PIN AND HOUSING WITH MATING PLUG.
3. ALL TESTS ARE PERFORMED AT ROOM TEMPERATURE.
4. ALL PARTS MUST PASS ALL TESTS.
5. COSMETIC SURFACE VOIDS SMALLER THAN  $\phi 0.035$  [.89] ARE ACCEPTABLE.
6. REF-OPERATING TEMPERATURE  $-20^{\circ}\text{C}$  TO  $105^{\circ}\text{C}$ .
7. DIMENSIONS ARE INCHES [millimeters].
8. WHEN USED WITH A PROPERLY RATED CAP OR CABLE CONNECTOR ON BOTH SIDES, THE CONNECTOR MAINTAINS AN IP67 ENVIRONMENTAL RATING.

ATMOSPHERE | VACUUM

.06 [1.5] MAXIMUM  
OVER/UNDERFILL  
EACH SIDE



VS 18 INSTALLATION PORT



ITEM	QTY	PART NUMBER	DESCRIPTION
5	1	1014	NUT VS18-SS
4	1	-219 VITON	O-RING -219 VITON 75
3	A/R	PAVE-Seal 150	EPOXY BLACK
2	2	FWFTV21N	RCPT IEEE1394 38999 NICKEL PLATED
1	1	3207	HOUSING VS18-SS

**PAVE technology co.**

2751 Thunderhawk Court  
Dayton, OH 45414-3445  
U.S.A.  
tel (937) 890-1100  
fax (937) 8905165  
www.pavetechnologyco.com

DESCRIPTION  
VS18-SS-150-6-28-38999 (FIREWIRE)

PART NUMBER  
**4437**

MATERIAL NOTED

REVISION LEVEL  
A

PROJECTION

ALL DIMENSIONS AND TOLERANCES APPLY TO FINISHED PART IN INCHES.  
ALLOWABLE TOLERANCES UNLESS SPECIFIED OTHERWISE: NONE  $\pm 0.5$   
X.X DECIMAL  $\pm 0.1$  X.XX DECIMAL  $\pm 0.02$  X.XXX DECIMAL  $\pm 0.005$   
ANGLES  $\pm 1$  DEGREE SURFACE FINISH 128 microinch RMS