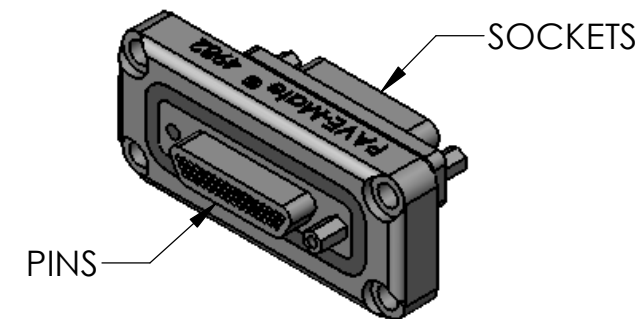


NOTES:

1. HE LEAK TEST @ 1 ATM 1×10^{-7} CC/SEC OR LESS. A GREEN PAINT DOT INDICATES THE PART HAS PASSED THE TEST.
2. HYPOT 500 VDC 200 MEGOHMS MINIMUM 0.01 SECOND MINIMUM WIRE TO WIRE AND HOUSING WITH MATING CONNECTORS.
3. CONTINUITY TEST 0.5 OHMS MAXIMUM RESISTANCE MATING CONNECTOR TO MATING CONNECTOR.
4. ALL TESTS ARE PERFORMED AT ROOM TEMPERATURE.
5. ALL PARTS MUST PASS ALL TESTS.
6. NO COSMETIC SURFACE VOIDS ARE ACCEPTABLE ON O-RING SEALING SURFACES, COSMETIC SURFACE VOIDS SMALLER THAN $\phi 0.035$ [0.89] ARE ACCEPTABLE ON ALL OTHER SURFACES.
7. REF-OPERATING TEMPERATURE RANGE -20°C TO 125°C .
8. DIMENSIONS ARE INCHES [MILLIMETERS].
9. ALCOHOL OR FOMBLIN YVAC 3 MAY BE USED TO LUBRICATE O-RINGS FOR VACUUM HELIUM LEAK TESTING.



6	1	-026 VITON	O-RING -026 VITON 75
5	3	JACKPOST 2-56	"P" STYLE 2-56 UNC
4	1	M83513/02-GN	CONNECTOR 51SOC MIL-C-83513
3	1	M83513/03-G05N	CONNECTOR 51PIN MIL-C-83513
2	A/R	PAVE-Seal 150	EPOXY BLACK
1	1	3174	HOUSING SP33/14-AL 6061 ELECTROLESS NICKEL PLATED
ITEM	QTY	PART NUMBER	DESCRIPTION

PAVE technology co.

2751 Thunderhawk Court
Dayton, OH 45414-3445
U.S.A.
tel (937) 890-1100
fax (937) 8905165
www.pavetechnologyco.com

DESCRIPTION
SP33/14-AL-150-51-25-M83513

PART NUMBER
4982

MATERIAL NOTED

REVISION LEVEL -

PROJECTION

ALL DIMENSIONS AND TOLERANCES APPLY TO FINISHED PART IN INCHES.
ALLOWABLE TOLERANCES UNLESS SPECIFIED OTHERWISE: NONE ± 0.5
X.X DECIMAL ± 0.1 X.XX DECIMAL ± 0.02 X.XXX DECIMAL ± 0.005
ANGLES ± 1 DEGREE. SURFACE FINISH 128 microinch RMS