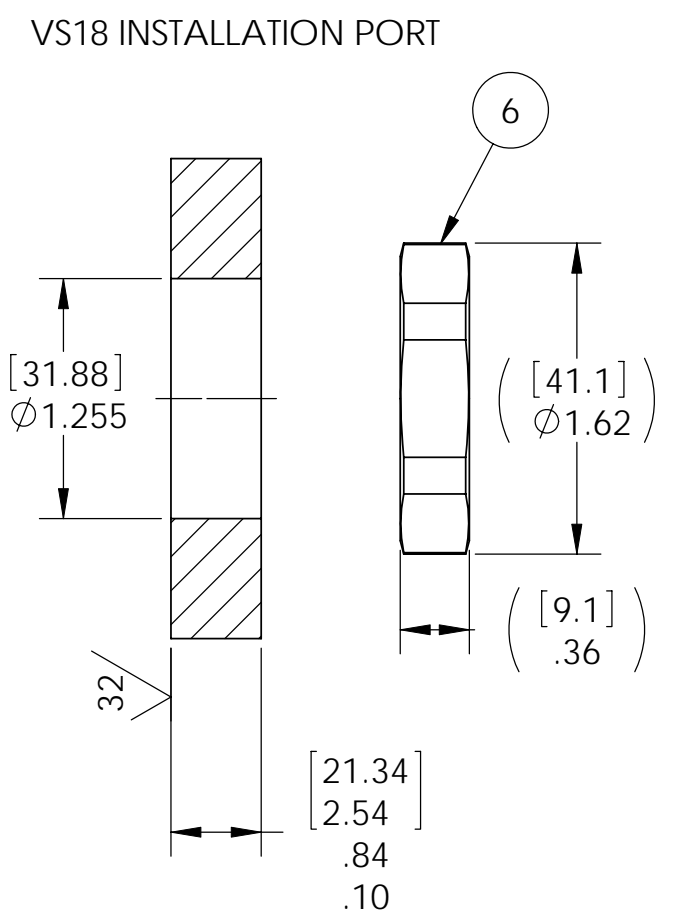
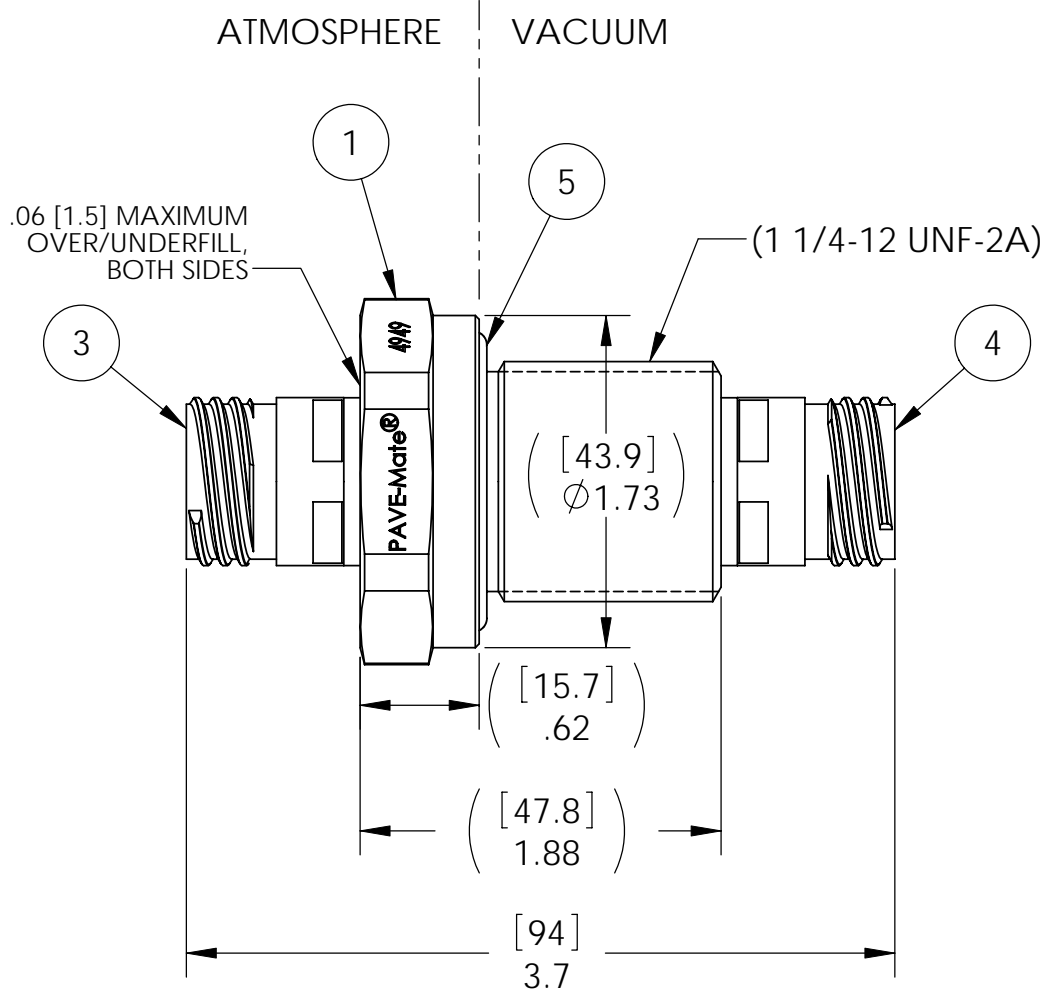
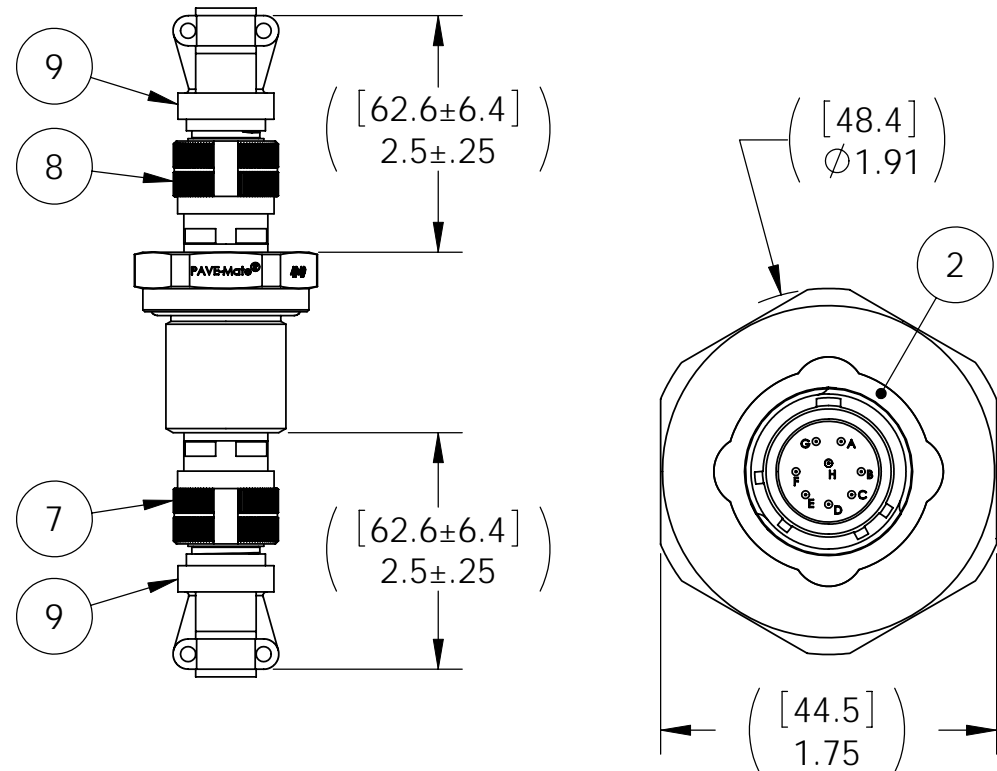


(ASSEMBLED)  
SEE NOTE 9  
SCALE: 1:2



NOTES:

1. HE LEAK TEST @ 1 ATM. 1X10<sup>-6</sup> CC/SEC OR LESS. A GREEN PAINT DOT INDICATES THE PART HAS PASSED THE TEST.
2. HYPOT 1000 VDC 500 MEGOHMS MINIMUM 0.01 SECOND MINIMUM PIN TO PIN AND HOUSING WITH MATING CONNECTORS.
3. CONTINUITY TEST <0.5 OHM PIN TO SOCKET WITH MATING CONNECTORS.
4. ALCOHOL OR FOMBLIN YVAC 3 MAY BE USED TO LUBRICATE O-RINGS FOR VACUUM HELIUM LEAK TESTING.
5. ALL TESTS ARE PERFORMED AT ROOM TEMPERATURE.
6. ALL PARTS MUST PASS ALL TESTS.
7. COSMETIC SURFACE VOIDS SMALLER THAN Ø0.035 [0.89] ARE ACCEPTABLE.
8. ALTERNATE CLOCKING IS INDICATED BY ADDING AN "A", "B", "C", "D", OR "E" TO THE END OF THE PAVE PART NUMBER AND DESCRIPTION. THIS ALSO CHANGES THE "N" AT THE END OF THE PART# OF ITEMS 3, 4, 5, & 6 TO THE SAME CLOCKING LETTER.
9. ITEMS 7, 8, & 9 ARE INCLUDED UNLESS "NP" IS ADDED TO THE PAVE PART NUMBER AND DESCRIPTION (NO PLUGS).
10. REF-OPERATING TEMPERATURE RANGE -20 °C TO 125 °C.
11. DIMENSIONS ARE INCHES [millimeters].
12. PAVE-SEAL CAN BE A BI-DIRECTIONAL HERMETIC SEAL FOR VACUUM AND MOST PRESSURES. FOR PRESSURES ABOVE 150 PSI (10 BAR), CHECK WITH SALES ENGINEERING.

ITEM	QTY	PART NUMBER	DESCRIPTION
9	2	M85049/38-13N <sup>*SEE NOTE 9</sup>	STRAIN RELIEF 38999 SHELL 13 NICKEL PLATED ALUMINUM
8	1	26FC8SN <sup>*SEE NOTES 8 &amp; 9</sup>	PLUG 8#20 SOC NICKEL PLATED ALUMINUM SHELL GOLD PLATED COPPER ALLOY CONTACTS
7	1	26FC8PN <sup>*SEE NOTES 8 &amp; 9</sup>	PLUG 8#20 PIN NICKEL PLATED ALUMINUM SHELL GOLD PLATED COPPER ALLOY CONTACTS
6	1	1014	NUT VS18-SS
5	1	-219 VITON	O-RING -219 VITON 75
4	1	20FC8SN <sup>*SEE NOTE 8</sup>	RCPT 8#20 SOC NICKEL PLATED ALUMINUM SHELL GOLD PLATED COPPER ALLOY CONTACTS
3	1	20FC8PN <sup>*SEE NOTE 8</sup>	RCPT 8#20 PIN NICKEL PLATED ALUMINUM SHELL GOLD PLATED COPPER ALLOY CONTACTS
2	A/R	PAVE-Seal 150	EPOXY BLACK
1	1	4958	HOUSING VS18-SS

**PAVE technology co.**  
2751 Thunderhawk Court  
Dayton, OH 45414-3445  
U.S.A.  
tel (937) 890-1100  
fax (937) 8905165  
www.pavetechnologyco.com

DESCRIPTION: VS18-SS-150-8-20-20FC8PS\* <sup>\*SEE NOTES 8 & 9</sup>

PART NUMBER: 4949\*

MATERIAL: NOTED

REVISION LEVEL: -

PROJECTION:

ALL DIMENSIONS AND TOLERANCES APPLY TO FINISHED PART IN INCHES.  
ALLOWABLE TOLERANCES UNLESS SPECIFIED OTHERWISE: NONE ±0.5  
X.X DECIMAL ±0.1 X.XX DECIMAL ±0.02 X.XXX DECIMAL ±0.005  
ANGLES ±1 DEGREE SURFACE FINISH 128 microinch RMS