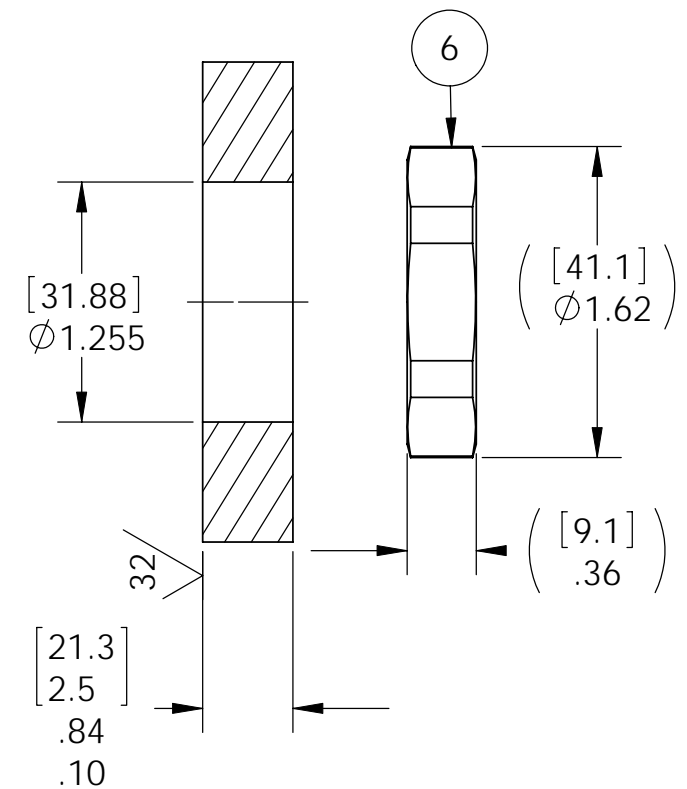


VS18 INSTALLATION PORT



NOTES:

- HE LEAK TEST @ 1 ATM. 1X10<sup>-7</sup> CC/SEC OR LESS.
- HYPOT 1000 VDC 500 MEGOHMS MINIMUM 0.01 SECOND MINIMUM WIRE TO WIRE AND HOUSING WITH MATING CONNECTORS.
- ALCOHOL OR FOMBLIN YVAC 3 MAY BE USED TO LUBRICATE O-RINGS FOR VACUUM HELIUM LEAK TESTING.
- CONTINUITY TEST: <1 OHM PIN TO SOC WITH MATING CONNECTORS.
- ALL TESTS ARE PERFORMED AT ROOM TEMPERATURE.
- ALL PARTS MUST PASS ALL TESTS.
- ITEMS 9 IS LISTED, BUT NOT SHOWN.
- 1637: DOES NOT INCLUDE ITEMS 7, 8, 9, & 10 (NO PLUGS)  
1637-1: INCLUDES ITEMS 7, 8, & 10 FOR MATING PLUGS.  
1637-2: INCLUDES ITEMS 7, 8, & 9 FOR MATING PLUGS.  
1637-R: INCLUDES ITEMS 7, 8, & 10 FOR MATING PLUGS.
- ONLY PART# 1637: THESE PARTS ARE CLEANED IN A TRICHLOROETHYLENE (TCE) VAPOR THEN PACKAGED IN A LAMINAR FLOW HOOD PROVIDING AN ISO CLASS 5 (CLASS 100) ENVIRONMENT WITHIN THE WORK AREA.
- THERMAL CYCLE 105°C TO -40°C 3 CYCLES 2HR. HOLD.
- 1637-R: ITEM 2 IS ON ATMOSPHERE SIDE & ITEMS 3 ON VACUUM SIDE (REVERSE PINS AND SOCKETS).
- COSMETIC SURFACE VOIDS SMALLER THAN Ø0.035 [0.89] ARE ACCEPTABLE ON ALL OTHER SURFACES.
- REF-OPERATING TEMPERATURE -20°C TO 125°C.
- DIMENSIONS ARE INCHES [millimeters].
- PAVE-SEAL CAN BE A BI-DIRECTIONAL HERMETIC SEAL FOR VACUUM AND MOST PRESSURES. FOR PRESSURES ABOVE 150 PSI (10 BAR), CHECK WITH SALES ENGINEERING.

ITEM	QTY	PART NUMBER	DESCRIPTION
10	SEE NOTE 8	M85049/52-1-16N	STRAIN RELIEF CLAMP SHELL SIZE 16, STRAIGHT, NON SELF-LOCKING, NICKEL PLATED ALUMINUM
9	SEE NOTE 8	M85049/51-1-16N	STRAIN RELIEF CLAMP SHELL SIZE 16, RIGHT ANGLE 90 DEGREES, NON SELF-LOCKING, NICKEL PLATED ALUMINUM
8	SEE NOTE 8	776L16-26P513	PLUG 26#20 GOLD PLATED COPPER ALLOY CRIMP PINS, EPOXY INSERT, NICKEL PLATED ALUMINUM SHELL
7	SEE NOTE 8	MS3476L16-26S	PLUG 26#20 GOLD PLATED COPPER ALLOY CRIMP SOCKETS, RIGID DIELECTRIC INSERT, SILICONE GROMMET, NICKEL PLATED ALUMINUM SHELL
6	1	1014	NUT VS18-SS
5	1	-219 VITON	O-RING -219 VITON 75
4	A/R	PAVE-Seal 150	EPOXY BLACK
3	1	SC3112E16-26P	RCPT 26#20 GOLD PLATED COPPER ALLOY PINS, NEOPRENE INSERT, NICKEL PLATED ALUMINUM SHELL
2	1	771L16-26S460	RCPT 26#20 GOLD PLATED COPPER ALLOY SOCKETS, EPOXY INSERT, NICKEL PLATED ALUMINUM SHELL
1	1	3207	HOUSING VS18-SS
ITEM	QTY	PART NUMBER	DESCRIPTION

**PAVE technology co.**

2751 Thunderhawk Court  
Dayton, OH 45414-3445  
U.S.A.  
tel (937) 890-1100  
fax (937) 8905165  
www.pavetechnologyco.com

DESCRIPTION  
VS18-SS-150-26-20-3112PS

PART NUMBER: 1637

MATERIAL: NOTED

REVISION LEVEL: V

PROJECTION:

ALL DIMENSIONS AND TOLERANCES APPLY TO FINISHED PART IN INCHES.  
ALLOWABLE TOLERANCES UNLESS SPECIFIED OTHERWISE: NONE ±0.5  
X.X DECIMAL ±0.1 X.XX DECIMAL ±0.02 X.XXX DECIMAL ±0.005  
ANGLES ±1 DEGREE SURFACE FINISH 128 microinch RMS