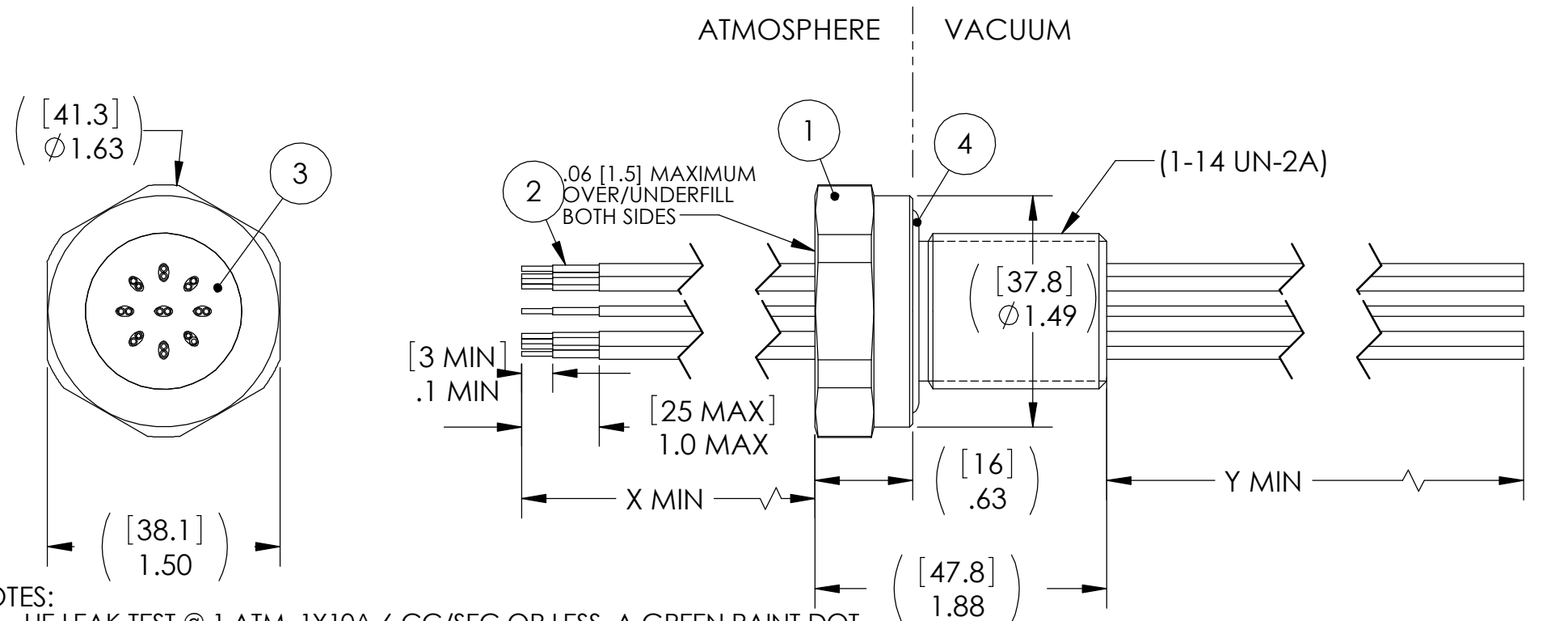
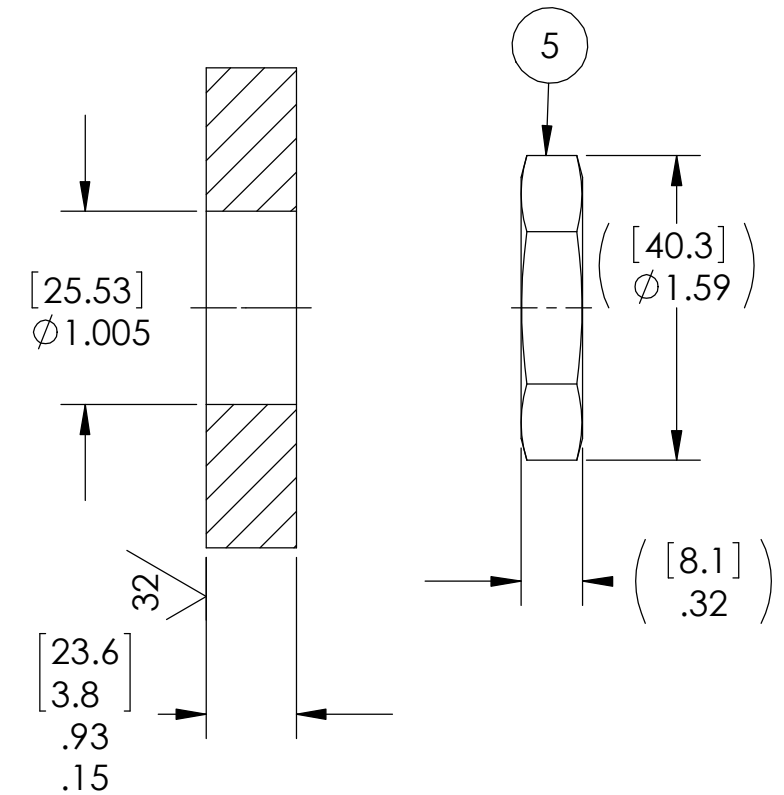


PAVE#	X	Y	O-RING (ITEM 4)	OP. TEMP. RANGE
1650	48[1219]	48[1219]	-215 VITON	-20°C TO 125°C
1650-1	60[1524]	60[1524]	-215 VITON	-20°C TO 125°C
1650-2	120[3048]	60[1524]	-215 VITON	-20°C TO 125°C
1650-3	168[4267]	12[305]	-215 NM304-75	-54°C TO 121°C
1650-NW40	48[1219]	48[1219]	-215 VITON	-20°C TO 125°C

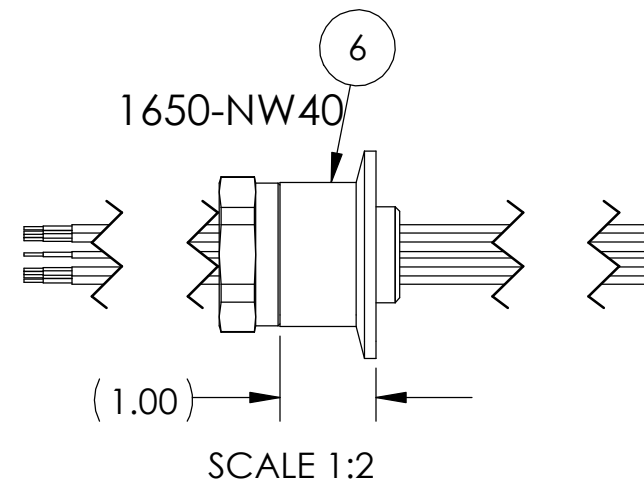


VS15L INSTALLATION PORT



NOTES:

- HE LEAK TEST @ 1 ATM. 1X10⁻⁶ CC/SEC OR LESS. A GREEN PAINT DOT INDICATES THE PART HAS PASSED THE TEST.
- HYPOT 630 VDC 500 MEGOHMS MINIMUM 0.01 SECOND MINIMUM WIRE TO WIRE AND HOUSING.
- ALL TESTS ARE PERFORMED AT ROOM TEMPERATURE.
- ALL PARTS MUST PASS ALL TESTS.
- WIRE POSITIONING IS APPROXIMATE & VARIABLE.
- COSMETIC SURFACE VOIDS NOT ON O-RING SEALING SURFACES ARE ACCEPTABLE BASED ON THE SEAL'S DIAMETER:
 <= .5 [12.7] SEAL DIAMETER: Ø.035 [.89] MAX ALLOWED VOID SIZE
 > .5 [12.7] SEAL DIAMETER: Ø.060 [1.5] MAX ALLOWED VOID SIZE
- END-STRIP BOTH ENDS AS SHOWN FOR 1650-1 ONLY.
- REF-OPERATING TEMPERATURE PER TABLE.
- PAVE-SEAL CAN BE A BI-DIRECTIONAL HERMETIC SEAL FOR VACUUM AND MOST PRESSURES. FOR PRESSURES ABOVE 150 PSI (10 BAR), CHECK WITH SALES ENGINEERING.
- DIMENSIONS ARE INCHES [millimeters].
- ALCOHOL OR FOMBLIN YVAC 3 MAY BE USED TO LUBE O-RINGS FOR VACUUM HELIUM LEAK TESTING.
- 1650-NW40 ONLY IS MOUNTED TO ITEM 6 (SEE SMALLER VIEW), AND NO ITEM 5 INCLUDED.



6	SEE NOTE 12	5119	HOUSING NW40-SS VS15 ADAPTER
5	SEE NOTE 12	0183	NUT VS15-SS
4	1	SEE TABLE	O-RING
3	A/R	PAVE-Seal 150	EPOXY BLACK
2	9	TT20	CABLE T/C TYPE T #20 TEFLON
1	1	0161	HOUSING VS15L-SS
ITEM	QTY	PART NUMBER	DESCRIPTION

PAVE technology co.

2751 Thunderhawk Court
Dayton, OH 45414-3445
U.S.A.
tel (937) 890-1100
fax (937) 8905165
www.pavetechnologyco.com

DESCRIPTION
VS15L-SS-150-9P-TT20-48-48

PART NUMBER	MATERIAL	NOTED
1650		
REVISION LEVEL	L	PROJECTION

ALL DIMENSIONS AND TOLERANCES APPLY TO FINISHED PART IN INCHES.
 ALLOWABLE TOLERANCES UNLESS SPECIFIED OTHERWISE: NONE ±0.5
 X.X DECIMAL ±0.1 X.XX DECIMAL ±0.02 X.XXX DECIMAL ±0.005
 ANGLES ±1 DEGREE SURFACE FINISH 128 microinch RMS