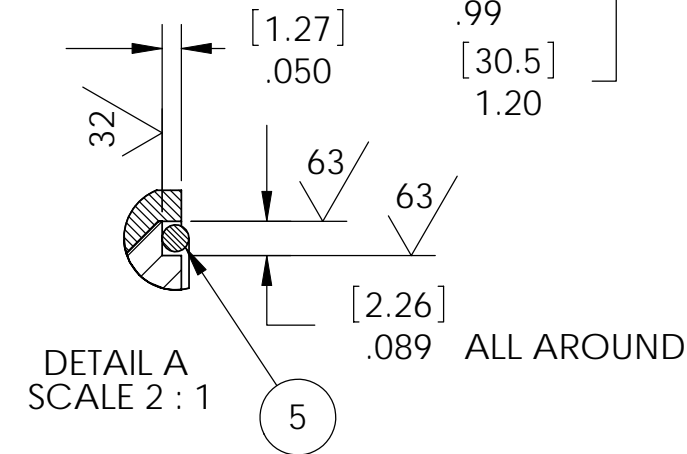


**NOTES:**

1. HE LEAK TEST @ 1 ATM.  $1 \times 10^{-7}$  CC/SEC OR LESS. A GREEN PAINT DOT INDICATES THE PART HAS PASSED THE TEST.
2. HYPOT 500 VDC 500 MEGAOHMS MINIMUM 0.01 SECOND MINIMUM PIN TO PIN WITH MATING CONNECTORS.
3. CONTINUITY TEST 0.5 Ohms MAXIMUM RESISTANCE PIN TO SOCKET WITH MATING CONNECTORS.
4. ALL TESTS ARE PERFORMED AT ROOM TEMPERATURE.
5. ALL PARTS MUST PASS ALL TESTS.
6. NO COSMETIC SURFACE VOIDS ARE ACCEPTABLE ON O-RING SEALING SURFACES, COSMETIC SURFACE VOIDS SMALLER THAN  $\phi 0.035$  [0.89] ARE ACCEPTABLE ON ALL OTHER SURFACES.
7. DIMENSIONS ARE INCHES [millimeters].
8. REF-OPERATING TEMPERATURE RANGE  $-20^{\circ}\text{C}$  TO  $125^{\circ}\text{C}$ .
9. ALCOHOL OR FOMBLIN YVAC 3 MAY BE USED TO LUBRICATE O-RINGS FOR VACUUM HELIUM LEAK TESTING.



| ITEM | QTY | PART NUMBER    | DESCRIPTION   |
|------|-----|----------------|---|
| 6    | 8   | 320-9505-030   | JACKPOST M17 MICRO 4-40 THREAD                                |
| 5    | 1   | -034 VITON 90  | O-RING -034 VITON 90  |
| 4    | 2   | M83513/04-H05N | CONNECTOR 100 SOC 83513                                       |
| 3    | 2   | M83513/01-HN   | CONNECTOR 100 PIN 83513                                       |
| 2    | A/R | PAVE-Seal 150  | EPOXY BLACK   |
| 1    | 1   | 2866           | PLATE TOP AL6061 2x 100 PIN MICRO-D ELECTROLESS NICKEL PLATED |

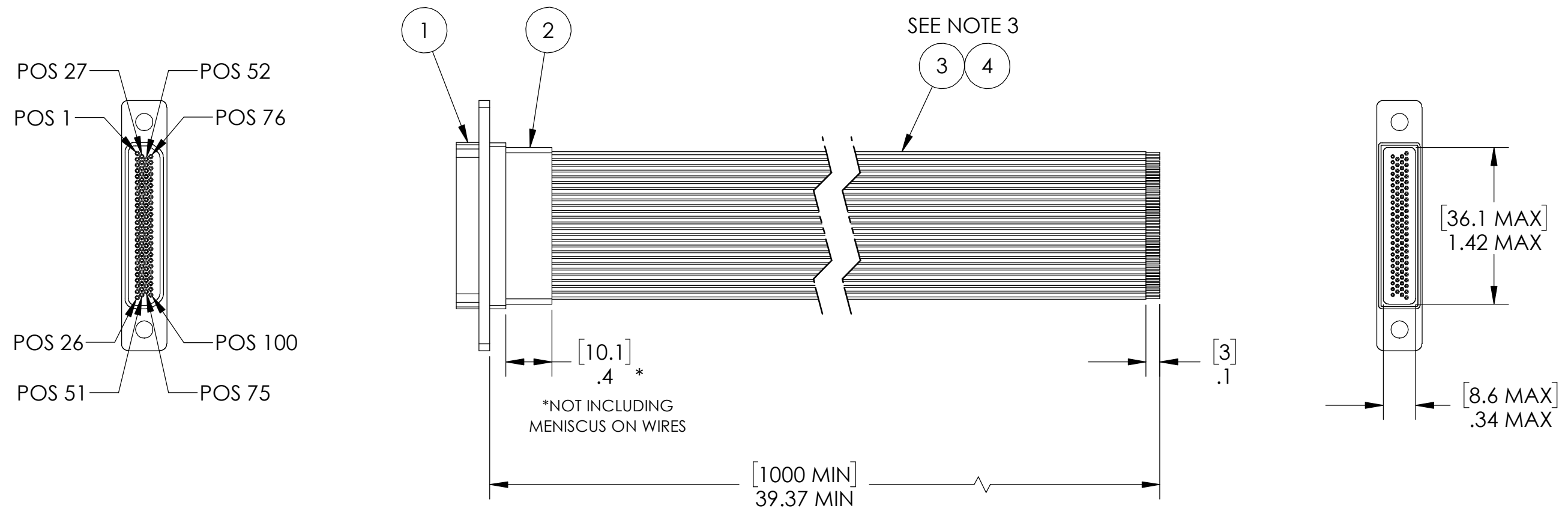
2751 Thunderhawk Court  
Dayton, OH 45414-3445  
U.S.A.  
tel (937) 890-1100  
fax (937) 8905165  
www.pavetechnologyco.com

**PAVE technology co.**

DESCRIPTION  
SP52/25-E-150-200-25-M83513

|                            |                   |
|----------------------------|-------------------|
| PART NUMBER<br><b>4888</b> | MATERIAL<br>NOTED |
| REVISION LEVEL<br>-        | PROJECTION<br>    |

ALL DIMENSIONS AND TOLERANCES APPLY TO FINISHED PART IN INCHES.  
ALLOWABLE TOLERANCES UNLESS SPECIFIED OTHERWISE: NONE  $\pm 0.5$   
X.X DECIMAL  $\pm 0.1$  X.XX DECIMAL  $\pm 0.02$  X.XXX DECIMAL  $\pm 0.005$   
ANGLES  $\pm 1$  DEGREE SURFACE FINISH 128 microinch RMS



**NOTES:**

1. HYPOT 500 VDC 500 MEGOHMS MINIMUM 0.01 SECOND MINIMUM WIRE TO WIRE AND CONNECTOR SHELL WITH MATING CONNECTOR.
2. CONTINUITY TEST < 0.5 OHM PINS TO WIRE ENDS WITH MATING CONNECTOR.
3. ITEM 3 (BLACK WIRES) IS CONNECTED TO THE ODD NUMBERED CONNECTOR POSITIONS, ITEM 4 (WHITE WIRES) IS CONNECTED TO THE EVEN NUMBERED CONNECTOR POSITIONS.
4. ALL TESTS ARE PERFORMED AT ROOM TEMPERATURE.
5. ALL PARTS MUST PASS ALL TESTS.
6. COSMETIC SURFACE VOIDS SMALLER THAN  $\phi$ .060 [1.5] ARE ACCEPTABLE.
7. REF-OPERATING TEMPERATURE -20°C TO 125°C.
8. DIMENSIONS ARE INCHES [millimeters].

|             |            |                    |                                 |
|-------------|------------|--------------------|---------------------------------|
| 4           | 50         | TZ26 WHITE         | WIRE 26 TEFZEL M22759/32 19/#38 |
| 3           | 50         | TZ26 BLACK         | WIRE 26 TEFZEL M22759/32 19/#38 |
| 2           | 1          | PAVE-Seal 150      | EPOXY BLACK                     |
| 1           | 1          | M83513/02-HN       | CONNECTOR 100 SOC 83513         |
| <b>ITEM</b> | <b>QTY</b> | <b>PART NUMBER</b> | <b>DESCRIPTION</b>              |

**PAVE technology co.**

2751 Thunderhawk Court  
Dayton, OH 45414-3445  
U.S.A.  
tel (937) 890-1100  
fax (937) 8905165  
www.pavetechnologyco.com

DESCRIPTION  
M83513/02-HN-TZ26-1M

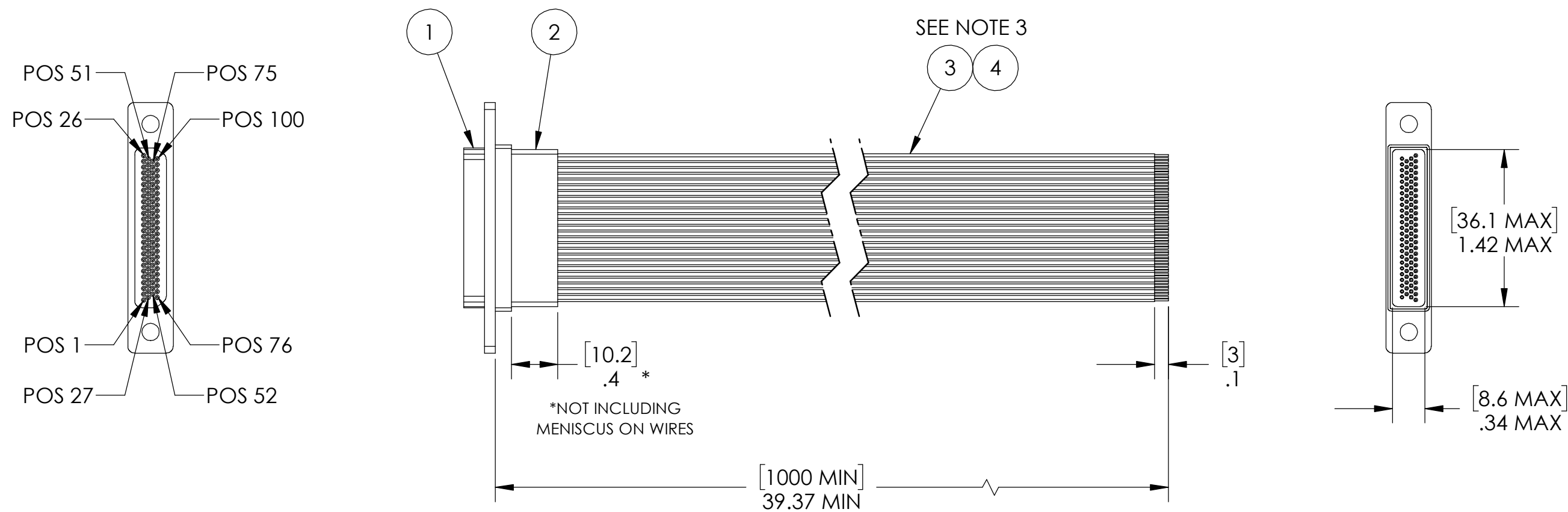
PART NUMBER  
4888 RCPT

MATERIAL NOTED

REVISION LEVEL -

PROJECTION

ALL DIMENSIONS AND TOLERANCES APPLY TO FINISHED PART IN INCHES.  
ALLOWABLE TOLERANCES UNLESS SPECIFIED OTHERWISE: NONE ±0.5  
X.X DECIMAL ±0.1 X.XX DECIMAL ±0.02 X.XXX DECIMAL ±0.005  
ANGLES ±1 DEGREE SURFACE FINISH 128 microinch RMS



**NOTES:**

1. HYPOT 500 VDC 500 MEGOHMS MINIMUM 0.01 SECOND MINIMUM WIRE TO WIRE AND CONNECTOR SHELL WITH MATING CONNECTOR.
2. CONTINUITY TEST < 0.5 OHM PINS TO WIRE ENDS WITH MATING CONNECTOR.
3. ITEM 3 (BLACK WIRES) IS CONNECTED TO THE ODD NUMBERED CONNECTOR POSITIONS, ITEM 4 (WHITE WIRES) IS CONNECTED TO THE EVEN NUMBERED CONNECTOR POSITIONS.
4. ALL TESTS ARE PERFORMED AT ROOM TEMPERATURE.
5. ALL PARTS MUST PASS ALL TESTS.
6. COSMETIC SURFACE VOIDS SMALLER THAN  $\phi .060$  [1.5] ARE ACCEPTABLE.
7. REF-OPERATING TEMPERATURE -20°C TO 125°C.
8. DIMENSIONS ARE INCHES [millimeters].

|             |            |                    |                                 |
|-------------|------------|--------------------|---------------------------------|
| 4           | 50         | TZ26 WHITE         | WIRE 26 TEFZEL M22759/32 19/#38 |
| 3           | 50         | TZ26 BLACK         | WIRE 26 TEFZEL M22759/32 19/#38 |
| 2           | 1          | PAVE-Seal 150      | EPOXY BLACK                     |
| 1           | 1          | M83513/01-HN       | CONNECTOR 100 PIN 83513         |
| <b>ITEM</b> | <b>QTY</b> | <b>PART NUMBER</b> | <b>DESCRIPTION</b>              |

**PAVE technology co.**

2751 Thunderhawk Court  
Dayton, OH 45414-3445  
U.S.A.  
tel (937) 890-1100  
fax (937) 8905165  
www.pavetechnologyco.com

DESCRIPTION  
M83513/01-HN-TZ26-1M

PART NUMBER  
4888 PLUG

MATERIAL NOTED

REVISION LEVEL -

PROJECTION

ALL DIMENSIONS AND TOLERANCES APPLY TO FINISHED PART IN INCHES.  
ALLOWABLE TOLERANCES UNLESS SPECIFIED OTHERWISE: NONE ±0.5  
X.X DECIMAL ±0.1 X.XX DECIMAL ±0.02 X.XXX DECIMAL ±0.005  
ANGLES ±1 DEGREE SURFACE FINISH 128 microinch RMS