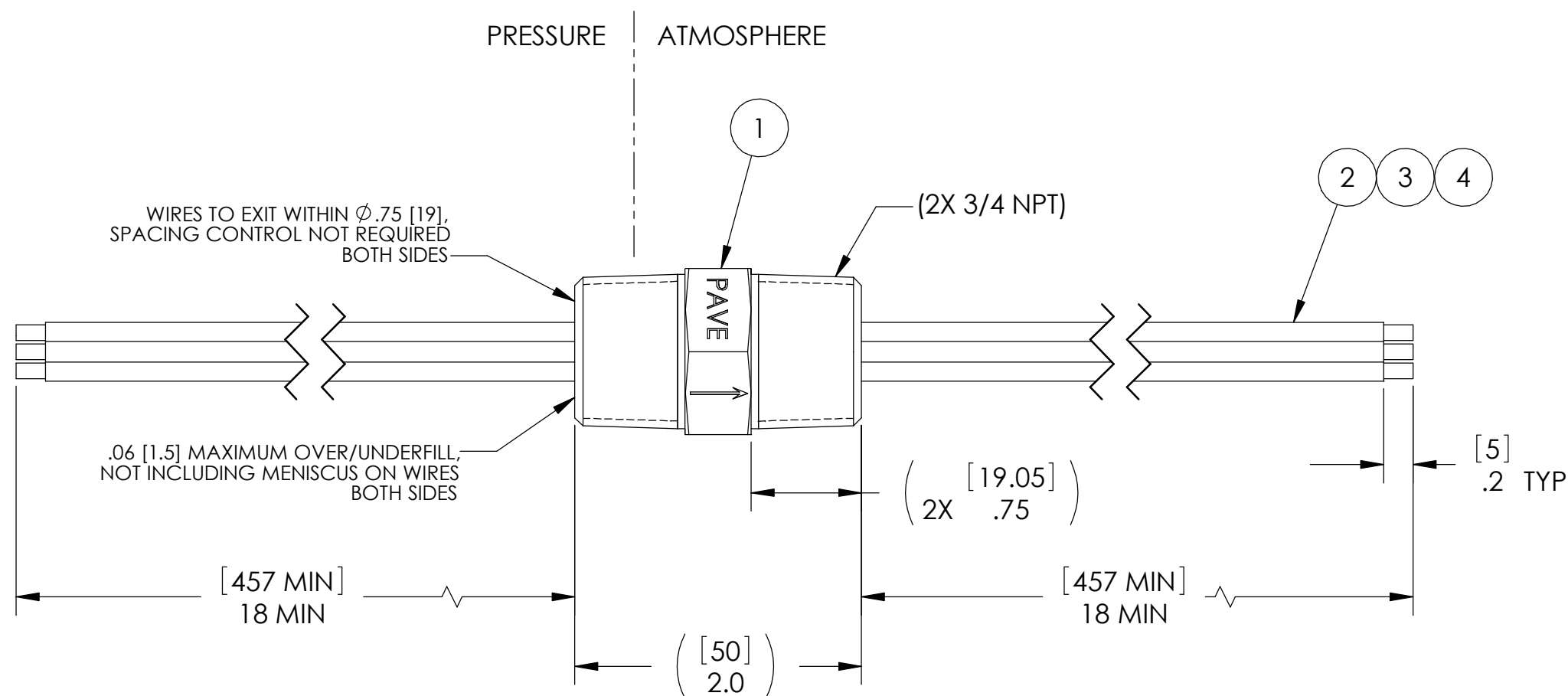
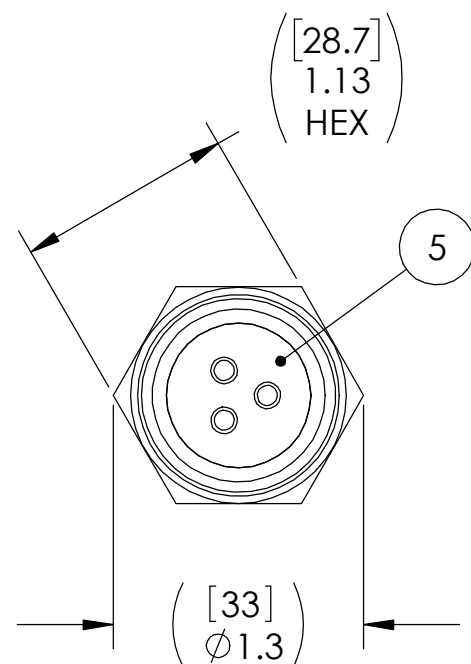


PAVE#	TEMPERATURE RANGE
3559	-20°C TO 150°C
3559-1	-54°C TO 121°C



NOTES:

1. LEAK TEST: 415 PSI, NO N2 BUBBLES 30 SECONDS MINIMUM. A GREEN PAINT DOT INDICATES THE PART HAS PASSED THE TEST.
2. HYPOT 630 VDC 500 MEGOHMS MINIMUM 0.01 SECOND MINIMUM WIRE TO WIRE TO SHIELDS.
3. CONTINUITY TEST ALL SHIELDS <1.0 OHM END TO END.
4. ALL TESTS ARE PERFORMED AT ROOM TEMPERATURE.
5. ALL PARTS MUST PASS ALL TESTS.
6. WIRE POSITIONING IS APPROXIMATE & VARIABLE.
7. COSMETIC SURFACE VOIDS NOT ON O-RING SEALING SURFACES ARE ACCEPTABLE BASED ON THE SEAL'S DIAMETER:
 <= .5 [12.7] SEAL DIAMETER: ϕ .035 [.89] MAX ALLOWED VOID SIZE
 > .5 [12.7] SEAL DIAMETER: ϕ .060 [1.5] MAX ALLOWED VOID SIZE
8. REF-OPERATING TEMPERATURE RANGE SEE TABLE.
9. DIMENSIONS ARE INCHES [millimeters].
10. PAVE-SEAL CAN BE A BI-DIRECTIONAL HERMETIC SEAL FOR VACUUM AND MOST PRESSURES. FOR PRESSURES ABOVE 150 PSI (10 BAR), CHECK WITH SALES ENGINEERING.

5	A/R	PAVE-Seal 200	EPOXY BLACK
4	1	TZZ10 WHITE	WIRE TZZ10 MIL-W-22759/16-10
3	1	TZZ10 RED	WIRE TZZ10 MIL-W-22759/16-10
2	1	TZZ10 BLACK	WIRE TZZ10 MIL-W-22759/16-10
1	1	0073	HOUSING PTN12-SS
ITEM	QTY	PART NUMBER	DESCRIPTION

PAVE technology co.

2751 Thunderhawk Court
Dayton, OH 45414-3445
U.S.A.
tel (937) 890-1100
fax (937) 8905165
www.pavetechnologyco.com

DESCRIPTION
PTN12-SS-200-3-TEE10-18-18

PART NUMBER
3559

MATERIAL NOTED

REVISION LEVEL
A

PROJECTION

ALL DIMENSIONS AND TOLERANCES APPLY TO FINISHED PART IN INCHES.
 ALLOWABLE TOLERANCES UNLESS SPECIFIED OTHERWISE: NONE ±0.5
 X.X DECIMAL ±0.1 X.XX DECIMAL ±0.02 X.XXX DECIMAL ±0.005
 ANGLES ±1 DEGREE SURFACE FINISH 128 microinch RMS