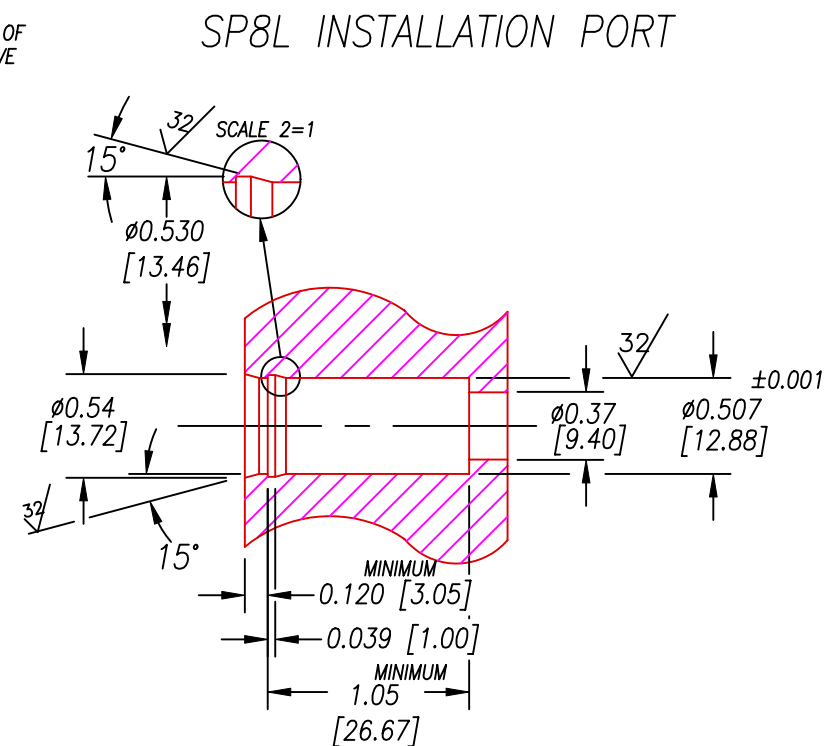
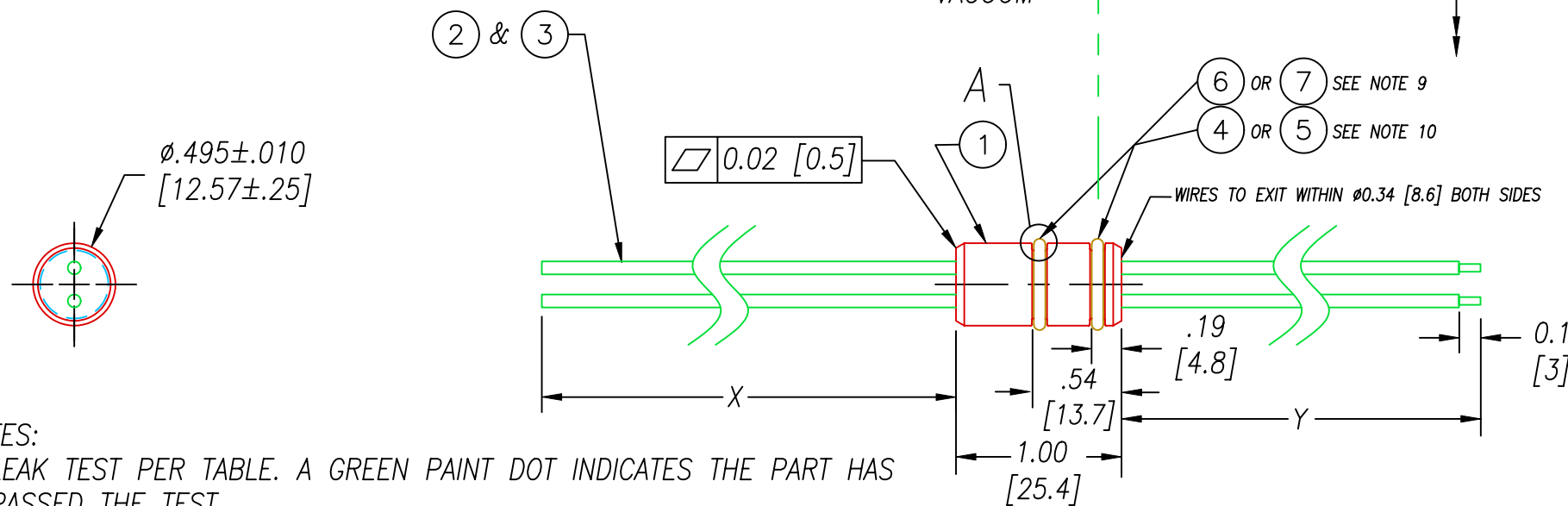
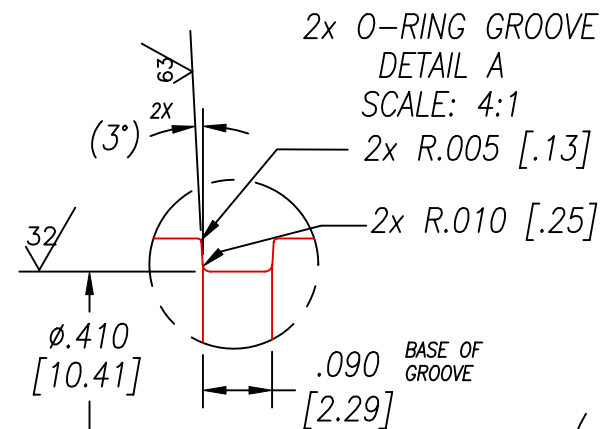


2390	11.5 [292.1] ±0.25 [6.35]	6 [152.4] ±0.25 [6.35]	SP8L-E-200UL94-2-TEE18-12-6	80 PSI, 1 MINUTE
2390-1	4 [101.6] ±0.25 [6.35]	10.0 [254.0] ±0.25 [6.35]	SP8L-E-200UL94-2-TEE18-4-10	80 PSI, 45 SECONDS
2390-2	19.7 [500] MINIMUM	19.7 [500] MINIMUM	SP8L-E-200UL94-2-TEE18-50-50cm	He < 1X10 <sup>-8</sup> cc/S
2390-3	3.4 [86.4] ±0.25 [6.35]	6 [152.4] ±0.25 [6.35]	SP8L-E-200UL94-2-TEE18-3.4-6	80 PSI, 30 SECONDS
2390-4	19.7 [500] MINIMUM	39.4 [1000] MINIMUM	SP8L-E-200UL94-2-TEE18-50-100cm	He < 1X10 <sup>-8</sup> cc/S
2390-5	11.5 [292.1] ±0.25 [6.35]	6 [152.4] ±0.25 [6.35]	SP8L-E-200UL94-2-TEE18-12-6	1100 PSI He < 1X10 <sup>-6</sup> cc/S
PART#	X	Y	DESCRIPTION	LEAK TEST



NOTES:

- LEAK TEST PER TABLE. A GREEN PAINT DOT INDICATES THE PART HAS PASSED THE TEST.
- HYPOT 630 VDC 500 MΩ 0.01 SEC MINIMUM, WIRE TO WIRE.
- ALL TESTS ARE PERFORMED AT ROOM TEMPERATURE.
- ALL PARTS MUST PASS EACH TEST.
- WIRES ARE NOT REQUIRED TO BEND SHARPLY AT EPOXY SEAL SURFACE.
- COSMETIC SURFACE VOIDS NOT ON O-RING SEALING SURFACES ARE ACCEPTABLE BASED ON THE SEAL'S DIAMETER:  
 <= .5 [12.7] SEAL DIAMETER: ø0.035 [.89] MAX ALLOWED VOID SIZE  
 > .5 [12.7] SEAL DIAMETER: ø0.060 [1.5] MAX ALLOWED VOID SIZE
- REF-PARTS ARE DEFLASHED ON PARTING LINE +0.005 [.13] MAXIMUM.
- REF-TEMPERATURE RANGE OF USE: -40 TO 150°C.  
 FOR 2390-4 ONLY RANGE OF USE IS -59°C TO 120°C.
- USE ITEM 7 (FOMBLIN YVAC 3) FOR 2390-2, 2394-4, & 2390-5 ONLY, ALL OTHERS USE ITEM 6 (PARKER O-LUBE).
- FOR 2390-4 ONLY USE ITEM 5 (-012 BUTYL), ALL OTHERS USE ITEM 4 (-012 VITON LT).
- PAVE-SEAL CAN BE A BI-DIRECTIONAL HERMETIC SEAL FOR VACUUM AND MOST PRESSURES. FOR PRESSURES ABOVE 150 PSI (10 BAR), CHECK WITH SALES ENGINEERING.
- DIMENSIONS ARE INCHES [millimeters].

USE TRUARC N5000-50 RETAINING RING OR EQUAL. IF REMOVED FROM PORT, REPLACE O-RINGS.

7	A/R	FOMBLIN YVAC 3	LUBRICANT O-RING FOMBLIN GREASE
6	A/R	PARKER O-LUBE	LUBRICANT O-RING BARIUM-BASED
5	2	-012 BUTYL	O-RING -012 BUTYL B612-70
4	2	-012 VITON LT	O-RING -012 LOW-TEMP VITON V835-75
3	1	EE18 RED	WIRE 18EE MIL-W-16878/5 .015 19 STRAND
2	1	EE18 BLACK	WIRE 18EE MIL-W-16878/5 .015 19 STRAND
1	A/R	PAVE-Seal 200UL94	EPOXY BLACK
ITEM	QTY	PART#	DESCRIPTION

2751 Thunderhawk Court  
Dayton, Ohio 45414-3445  
U.S.A.  
(937)890-1100  
fax (937)890-5165  
www.pavetechnologyco.com

DESCRIPTION PAVE-Seal® Cable Harnesses  
SEE CHART

PART NUMBER  
2390

REVISION LEVEL  
V

PROJECTION

ALL DIMENSIONS AND TOLERANCES APPLY TO FINISHED PART IN INCHES  
 ALLOWABLE TOLERANCES UNLESS SPECIFIED OTHERWISE: NONE +/-0.5  
 .X DECIMAL +/- 0.1 .XX DECIMAL +/- 0.02 .XXX DECIMAL +/-0.005  
 ANGLES +/- 1 DEG SURFACE FINISH 128 microinch RMS