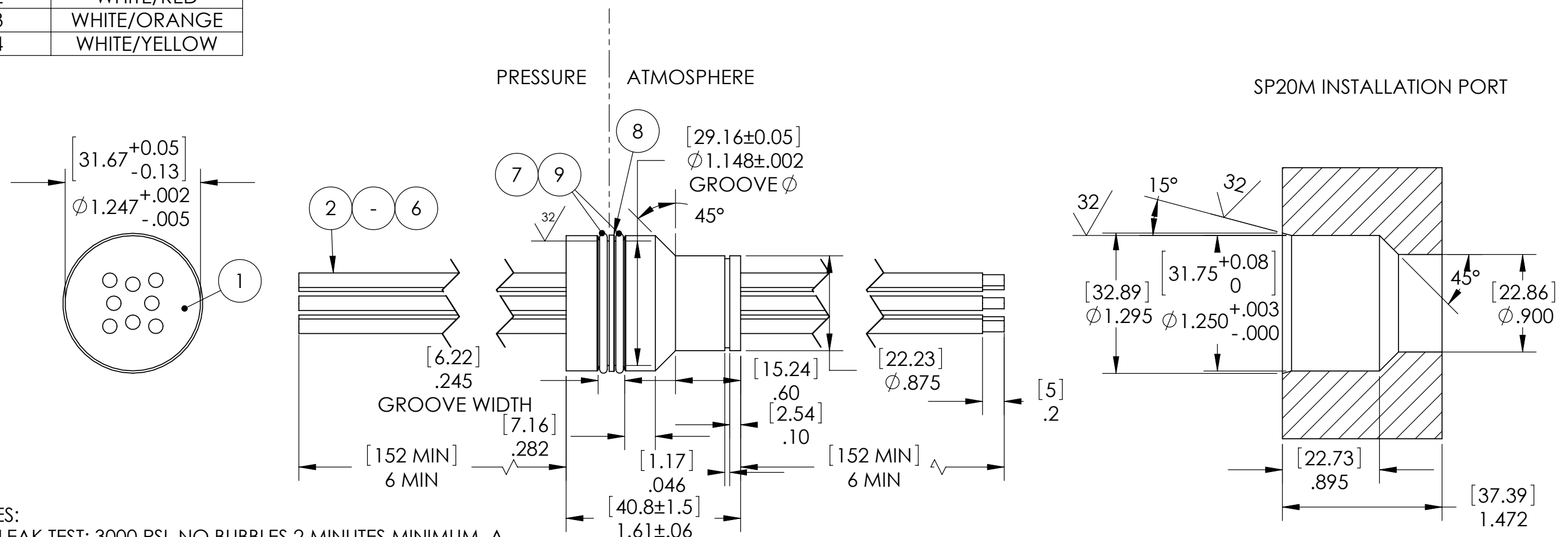


WIRE PAIR	WIRE COLORS
1	WHITE/BROWN
2	WHITE/RED
3	WHITE/ORANGE
4	WHITE/YELLOW



NOTES:

- LEAK TEST: 3000 PSI, NO BUBBLES 2 MINUTES MINIMUM. A GREEN PAINT DOT INDICATES THE PART HAS PASSED THE TEST.
- HYPOT 630 VDC 500 MEGOHMS MINIMUM 0.01 SECOND MINIMUM WIRE TO WIRE.
- ALL TESTS ARE PERFORMED AT ROOM TEMPERATURE.
- ALL PARTS MUST PASS ALL TESTS.
- WIRE POSITIONING IS APPROXIMATE & VARIABLE.
- NO COSMETIC SURFACE VOIDS ARE ACCEPTABLE ON O-RING SEALING SURFACES, COSMETIC SURFACE VOIDS SMALLER THAN $\phi 0.035$ [0.89] ARE ACCEPTABLE ON ALL OTHER SURFACES.
- REF-OPERATING TEMPERATURE -20°C TO 150°C .
- DIMENSIONS ARE INCHES [millimeters].
- PAVE-SEAL CAN BE A BI-DIRECTIONAL HERMETIC SEAL FOR VACUUM AND MOST PRESSURES. FOR PRESSURES ABOVE 150 PSI (10 BAR), CHECK WITH SALES ENGINEERING.
- WIRE PAIRS TWISTED TOGETHER APPROXIMATELY 1-2 TWISTS PER INCH. SEE TABLE

9	A/R	PARKER O-LUBE	LUBRICANT O-RING BARIUM-BASED
8	1	-024 TEFLON	RING -024 TEFLON BACKUP SINGLE
7	2	-024 VITON	O-RING -024 VITON 75
6	1	E10 YELLOW	WIRE 10E MIL-W-16878/4 37/#26
5	1	E10 ORANGE	WIRE 10E MIL-W-16878/4 37/#26
4	1	E10 RED	WIRE 10E MIL-W-16878/4 37/#26
3	1	E10 BROWN	WIRE 10E MIL-W-16878/4 37/#26
2	4	E10 WHT	WIRE 10E MIL-W-16878/4 37/#26
1	A/R	PAVE-Seal 200	EPOXY BLACK
ITEM	QTY	PART NUMBER	DESCRIPTION

PAVE technology co.

2751 Thunderhawk Court
Dayton, OH 45414-3445
U.S.A.
tel (937) 890-1100
fax (937) 8905165
www.pavetechnologyco.com

DESCRIPTION
SP20M-E-200-4TP-TE10-6-6

PART NUMBER
4825

MATERIAL NOTED

REVISION LEVEL -

PROJECTION

ALL DIMENSIONS AND TOLERANCES APPLY TO FINISHED PART IN INCHES.
ALLOWABLE TOLERANCES UNLESS SPECIFIED OTHERWISE: NONE ± 0.5
X.X DECIMAL ± 0.1 X.XX DECIMAL ± 0.02 X.XXX DECIMAL ± 0.005
ANGLES ± 1 DEGREE SURFACE FINISH 128 microinch RMS