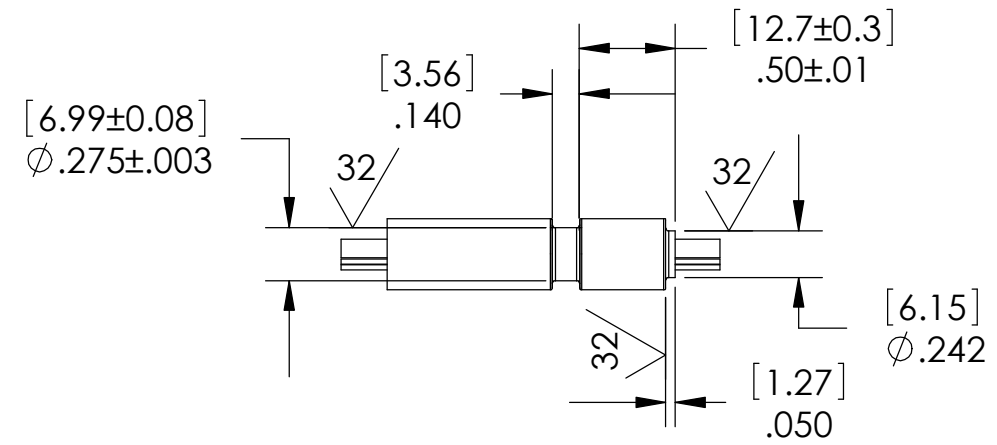


ADDITIONAL HOUSING DETAILS
 (O-RINGS & BACKUP RING REMOVED FOR CLARITY)



NOTES:

- LEAK TEST: 10,000 PSI, NO N2 BUBBLES 30 SECONDS MINIMUM. A GREEN PAINT DOT ON THE PRESSURE SIDE OF THE EPOXY HOUSING INDICATES THE PART HAS PASSED THE TEST.
- REF-CUSTOMER QUALIFICATION FOR USE AT 15,000 PSI.
- OPTICAL CONTINUITY TEST ALL FIBERS WITH LASER. TUBING WITH THE SINGLEMODE FIBER WILL HAVE A CORRESPONDING GREEN OR BLUE PAINT MARK ON BOTH ENDS, MULTIMODE TUBING WILL HAVE AN ORANGE PAINT MARK ON BOTH ENDS OR NONE.
- ALL TESTS ARE PERFORMED AT ROOM TEMPERATURE.
- ALL PARTS MUST PASS ALL TESTS.
- WIRE & FIBER/TUBING POSITIONING IS APPROXIMATE & VARIABLE.
- WIRE & FIBERS ARE NOT REQUIRED TO BEND SHARPLY AT EPOXY SEAL SURFACE, DO NOT PULL DIRECTLY ON TEFLON TUBING.
- COSMETIC SURFACE VOIDS NOT ON O-RING SEALING SURFACES ARE ACCEPTABLE BASED ON THE SEAL'S DIAMETER:
 $\leq .5$ [12.7] SEAL DIAMETER: $\phi .035$ [.89] MAX ALLOWED VOID SIZE
 $> .5$ [12.7] SEAL DIAMETER: $\phi .060$ [1.5] MAX ALLOWED VOID SIZE
- REF-OPERATING TEMPERATURE RANGE -20°C TO 90°C .
- DIMENSIONS ARE INCHES [millimeters].
- PAVE-SEAL CAN BE A BI-DIRECTIONAL HERMETIC SEAL FOR VACUUM AND MOST PRESSURES. FOR PRESSURES ABOVE 150 PSI (10 BAR), CHECK WITH SALES ENGINEERING.

ITEM	QTY	PART NUMBER	DESCRIPTION
8	A/R	PARKER O-LUBE	LUBRICANT O-RING BARIUM-BASED
7	1	B/U RING -010	BACK UP RING -010 SINGLE TURN PER MS28774
6	2	-010 VITON	O-RING -010 VITON 75
5	8	A-STT-30	TUBING .012"ID TEFLON SPAGHETTI
4	2	CLEARCURVE SM	FIBER OPTIC 9/125um SINGLEMODE CORNING
3	2	CLEARCURVE MM	FIBER OPTIC 50/125um MULTIMODE CORNING
2	1	PC16 MWC BLK	WIRE 16 PVC MIL-W-16878/2 TYPE C 1000V
1	A/R	PAVE-Seal 150	EPOXY BLACK

PAVE technology co.
 2751 Thunderhawk Court
 Dayton, OH 45414-3445
 U.S.A.
 tel (937) 890-1100
 fax (937) 8905165
 www.pavetechnologyco.com

DESCRIPTION
 SP6H-E-150-1/2/2-PC16/SMFO/MMFO-79-138

PART NUMBER
6007

MATERIAL NOTED

REVISION LEVEL
 B

PROJECTION

ALL DIMENSIONS AND TOLERANCES APPLY TO FINISHED PART IN INCHES.
 ALLOWABLE TOLERANCES UNLESS SPECIFIED OTHERWISE: NONE ± 0.5
 X.X DECIMAL ± 0.1 X.XX DECIMAL ± 0.02 X.XXX DECIMAL ± 0.005
 ANGLES ± 1 DEGREE. SURFACE FINISH 128 microinch RMS