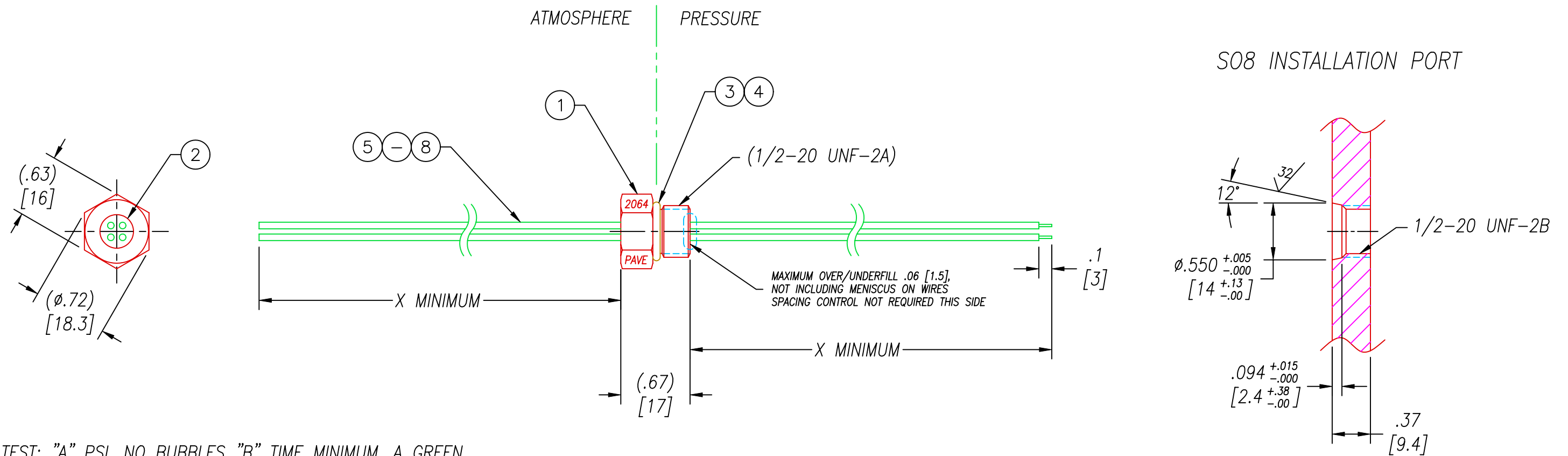


PART #	'X'	ITEM# 4	ITEM# 4 DESCRIPTION	"A" PSI	"B" TIME
2064	24 [609]	-905 VITON	O-RING -905 VITON 75	80 PSI	2 MINUTES
2064-1	6 [152]	-905 VITON	O-RING -905 VITON 75	3500 PSI	30 SECONDS
2064-2	24 [609]	-905 VITON	O-RING -905 VITON 75	750 PSI	30 SECONDS
2064-3	12 [305]	-905 SILICONE	O-RING -905 SILICONE	80 PSI	1 MINUTE



NOTES:

1. LEAK TEST: "A" PSI, NO BUBBLES "B" TIME MINIMUM. A GREEN PAINT DOT INDICATES PART HAS PASSED THE TEST.
2. HYPOT 630 VDC 500 MΩ 0.01 SEC MINIMUM, WIRE TO WIRE & HOUSING.
3. ALL TESTS ARE PERFORMED AT ROOM TEMPERATURE.
4. ALL PARTS MUST PASS ALL TESTS.
5. WIRE POSITIONING IS APPROXIMATE & VARIABLE.
6. WIRES ARE NOT REQUIRED TO BEND SHARPLY AT EPOXY SEAL SURFACE.
7. COSMETIC SURFACE VOIDS LARGER THAN $\phi.035$ [0.89] ARE NOT ACCEPTABLE.
8. REF-OPERATING TEMPERATURE RANGE -20°C TO 125°C .
9. DIMENSIONS ARE INCHES [millimeters].
10. PAVE-Seal CAN BE A BI-DIRECTIONAL HERMETIC SEAL FOR VACUUM AND MOST PRESSURES. FOR PRESSURES ABOVE 150 PSI (10 BAR), CHECK WITH SALES ENGINEERING.

8	1	EE24 RED 7STRD	WIRE 24EE MIL-W-16878/5 .014 7/#32
7	1	EE24 GRN 7STRD	WIRE 24EE MIL-W-16878/5 .014 7/#32
6	1	EE24 BLK 7STR	WIRE 24EE MIL-W-16878/5 .014 7/#32
5	1	EE24 WHT 7STRD	WIRE 24EE MIL-W-16878/5 .014 7/#32
4	1	SEE TABLE	SEE TABLE
3	A/R	PARKER O-LUBE	LUBRICANT O-RING BARIUM-BASED
2	A/R	PAVE-Seal 150	EPOXY BLACK
1	1	2074	HOUSING S08-SS THREAD PRESSURE
ITEM	QTY	PART#	DESCRIPTION

ALL DIMENSIONS AND TOLERANCES APPLY TO FINISHED PART IN INCHES
ALLOWABLE TOLERANCES UNLESS SPECIFIED OTHERWISE: NONE +/-0.5
.X DECIMAL +/- 0.1 .XX DECIMAL +/- 0.02 .XXX DECIMAL +/-0.005
ANGLES +/- 1 DEG SURFACE FINISH 128 microinch RMS



DESCRIPTION PAVE-Seal® Cable Harnesses
S08-SS-150-4-TEE24-X-X

PART NUMBER *SEE TABLE
2064*

REVISION LEVEL J
PROJECTION