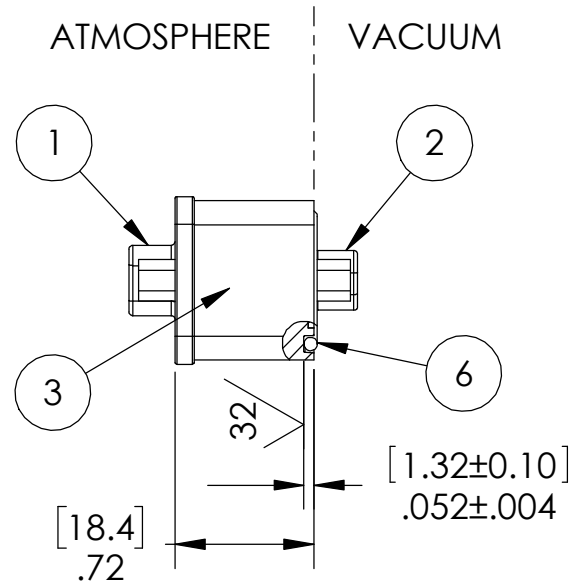
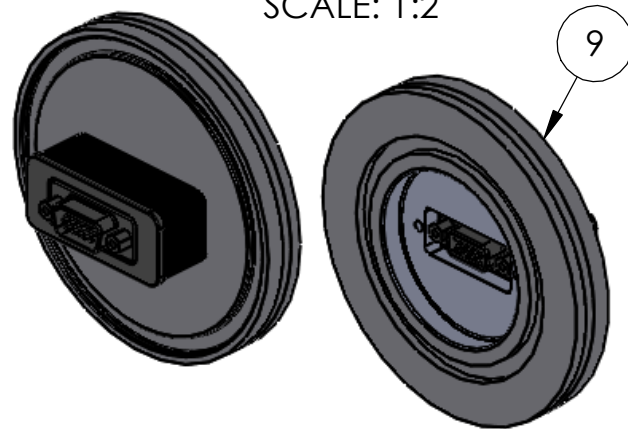
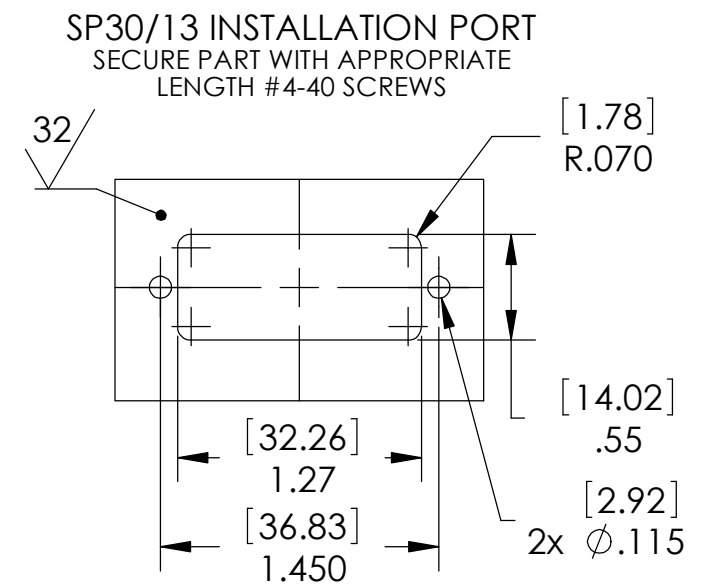
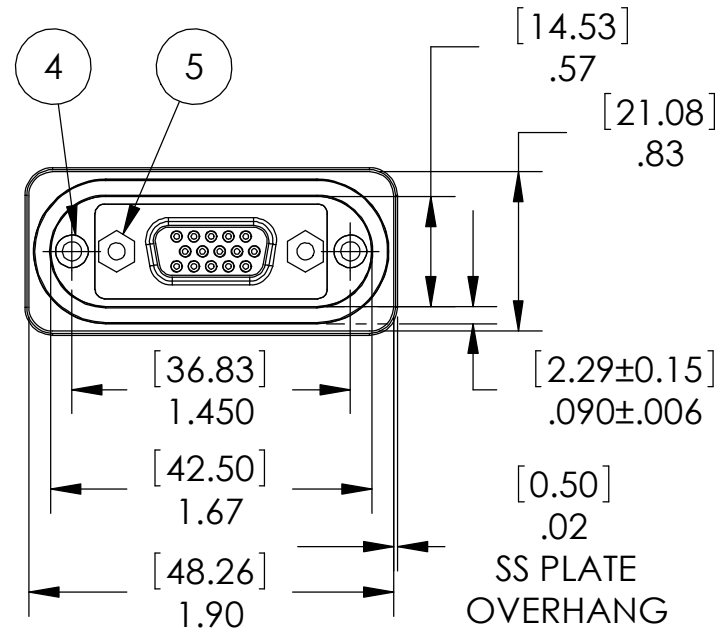
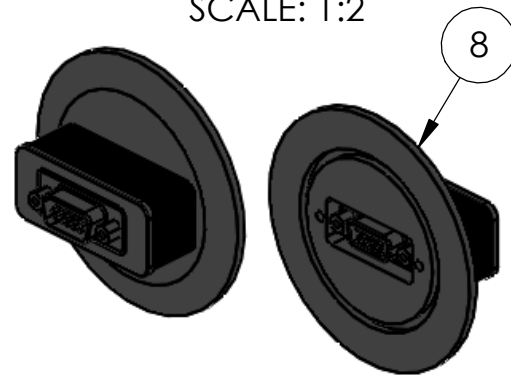


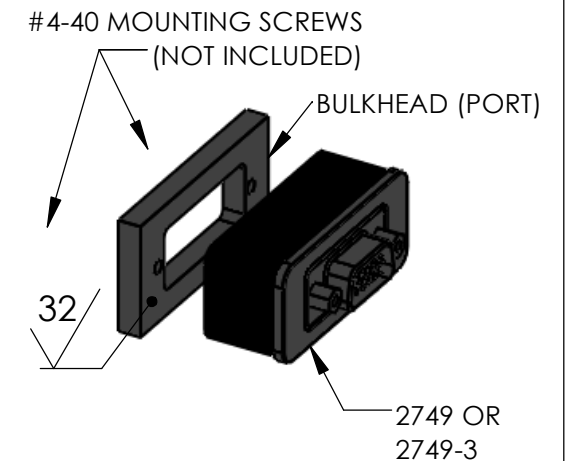
2749-2, SEE NOTE 9
SCALE: 1:2



2749-1, SEE NOTE 8
SCALE: 1:2



PART INSTALLATION, SCALE: 2:3



PAVE#	ITEM 6	ITEM 6 DESCRIPTION	TEMPERATURE RANGE
2749	-026 VITON	O-RING -026 VITON 75	-20° TO 105°C
2749-1	-026 VITON	O-RING -026 VITON 75	-20° TO 105°C
2749-2	-026 VITON	O-RING -026 VITON 75	-20° TO 105°C
2749-3	-026 BUTYL	O-RING -026 BUTYL 70	-60° TO 105°C

ITEM	QTY	PART NUMBER	DESCRIPTION
10	2	4-40X.3125 SHCS	SCREW SHCS 4-40x.3125-SS
9	1	4620	FLANGE NW63-SS MODIFIED FOR SP30/13
8	1	5216	HOUSING NW50-SS SP30/13 ADAPTER
7	1	3461	PLATE TOP SS
6	1	-026 VITON	O-RING -026 VITON 75
5	4	JACKPOST 4-40	"P" STYLE 4-40 UNC
4	2	YARDLEY#440A5-8	THREADED INSERT SS 4-40 X .12
3	A/R	PAVE-Seal 150	EPOXY BLACK
2	1	180-015-203L001	RCPT D-SUB HIGH DENSITY 15 #22 SOCKETS PBT INSULATOR, NICKEL PLATED STEEL SHELL, GOLD PLATED BRASS SOCKETS
1	1	180-015-103L001	PLUG D-SUB HIGH DENSITY 15 #22 PINS PBT INSULATOR, NICKEL PLATED STEEL SHELL, GOLD PLATED BRASS PINS
ITEM	QTY	PART NUMBER	DESCRIPTION

NOTES:

- HE LEAK TEST @ 1ATM. 1x10⁻⁶ CC/S OR LESS. A GREEN PAINT DOT WHERE NOTED INDICATES THE PART HAS PASSED THE TEST. TEST CERTIFICATIONS FOR LOWER HELIUM LEAK RATES DOWN TO 10⁻¹⁰ CC/SEC RATE MAY BE AVAILABLE BY CONTACTING PAVE SALES ENGINEERING PRIOR TO ORDERING.
- HYPOT 630 VDC 500 MEGOHMS MINIMUM 0.01 SECONDD MINIMUM WIRE TO WIRE AND CONNECTOR SHELLS WITH MATING CONNECTORS.
- CONTINUITY TEST <0.5 Ohm PIN TO SOCKET WITH MATING CONNECTORS.
- ALL TESTS ARE PERFORMED AT ROOM TEMPERATURE.
- ALL PARTS MUST PASS ALL TESTS.
- COSMETIC SURFACE VOIDS NOT ON O-RING SEALING SURFACES ARE ACCEPTABLE BASED ON THE SEAL'S DIAMETER:
 <= .5 [12.7] SEAL DIAMETER: Ø.035 [.89] MAX ALLOWED VOID SIZE
 > .5 [12.7] SEAL DIAMETER: Ø.060 [1.5] MAX ALLOWED VOID SIZE
 REF-OPERATING TEMPERATURE RANGE SEE TABLE.
- 2749-1 ONLY SHIPS INSTALLED AND LEAK TESTED, PER NOTE 1, IN ITEM 8 (NW50 ADAPTER) SECURED WITH ITEM 10 (#4-40 SCREWS).
- 2749-2 ONLY SHIPS INSTALLED AND LEAK TESTED, PER NOTE 1, IN ITEM 9 (NW63 ADAPTER) SECURED WITH ITEM 10 (#4-40 SCREWS).
- 2749-R IS REVERSED WITH PINS ON VACUUM SIDE AND SOCKETS ON ATMOSPHERE SIDE.
- DIMENSIONS ARE INCHES [millimeters].
- ALCOHOL OR FOMBLIN YVAC 3 MAY BE USED TO LUBRICATE O-RINGS FOR VACUUM HELIUM LEAK TESTING.

ALL DIMENSIONS AND TOLERANCES APPLY TO FINISHED PART IN INCHES.
 ALLOWABLE TOLERANCES UNLESS SPECIFIED OTHERWISE: NONE ±0.5
 X.X DECIMAL ±0.1 X.XX DECIMAL ±0.02 X.XXX DECIMAL ±0.005
 ANGLES ±1 DEGREE SURFACE FINISH 128 microinch RMS

PAVE technology co.
 2751 Thunderhawk Court
 Dayton, OH 45414-3445
 U.S.A.
 tel (937) 890-1100
 fax (937) 8905165
 www.pavetechnologyco.com

DESCRIPTION
 SP30/13-E-150-15-22-DSUB-DSUB

PART NUMBER *SEE TABLE & PART NOTES 8, 9, & 10 NOTED
2749*

REVISION LEVEL M PROJECTION