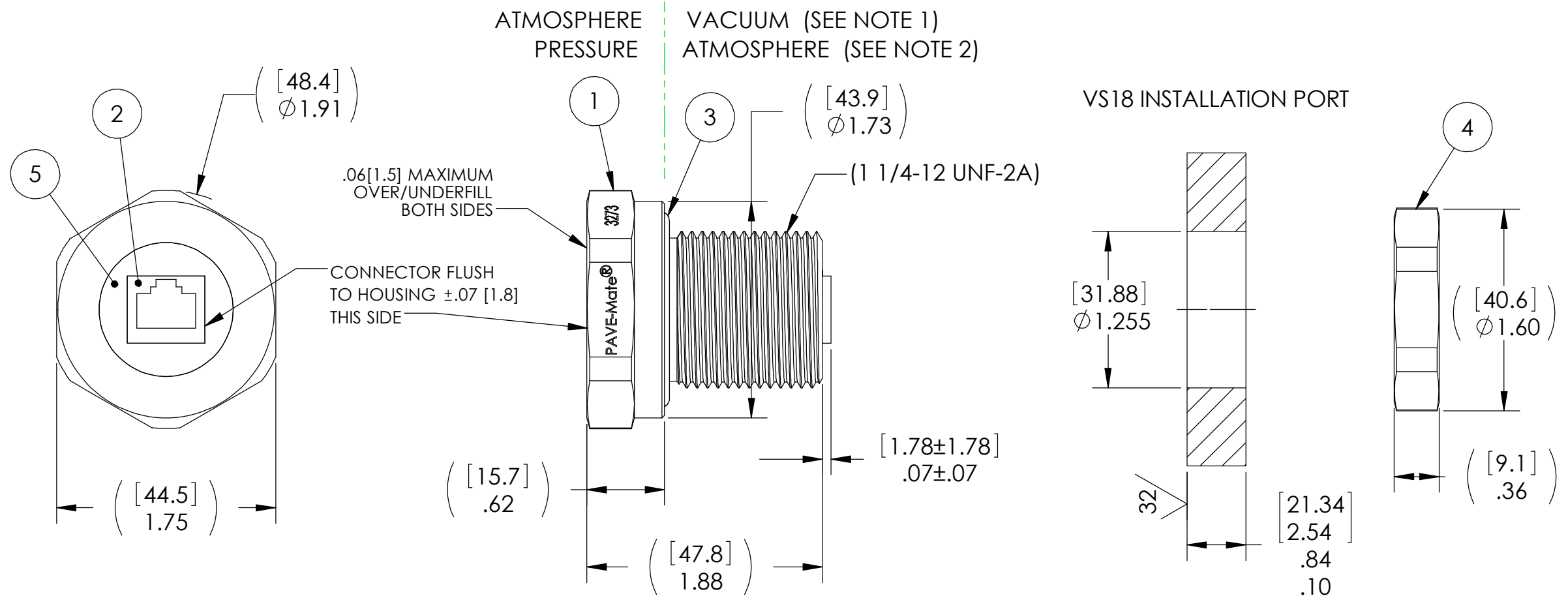


PIN-OUT TABLE	
HEX	THREAD
1	1
2	2
3	3
4	4
5	5
6	6
7	7
8	8



NOTES:

- FOR ALL VERSIONS EXCEPT 3273-1: HE LEAK TEST @ 1ATM. 1X10⁻⁸ CC/SEC OR LESS. A GREEN PAINT DOT ON THE ATMOSPHERE SIDE INDICATES THE PART HAS PASSED THE TEST. 3273-2 IS TESTED WITH A G-275 VITON GASKET (NOT SUPPLIED).
- FOR 3273-1 ONLY: LEAK TEST 1000 PSI NITROGEN HEX SIDE, NO BUBBLES 30 SECONDS MINIMUM. A GREEN PAINT DOT ON THE PRESSURE SIDE INDICATES THE PART HAS PASSED THE TEST.
- HYPOT 630 VDC 500 MEGOHMS MINIMUM 0.01 SECOND MINIMUM PIN TO PIN AND HOUSING WITH MATING PLUGS.
- CONTINUITY TEST <0.5 OHM MATING PLUG TO MATING PLUG.
- ALL TESTS ARE PERFORMED AT ROOM TEMPERATURE.
- ALL PARTS MUST PASS ALL TESTS.
- COSMETIC SURFACE VOIDS NOT ON O-RING SEALING SURFACES ARE ACCEPTABLE BASED ON THE SEAL'S DIAMETER:
 <= .5 [12.7] SEAL DIAMETER: ϕ .035 [.89] MAX ALLOWED VOID SIZE
 >= .5 [12.7] SEAL DIAMETER: ϕ .060 [1.5] MAX ALLOWED VOID SIZE
- REF-OPERATING TEMPERATURE RANGE SEE TABLE.
- DIMENSIONS ARE INCHES [millimeters].
- ALCOHOL OR FOMBLIN YVAC 3 MAY BE USED TO LUBRICATE O-RINGS FOR VACUUM HELIUM LEAK TESTING.
- PAVE-SEAL CAN BE A BI-DIRECTIONAL HERMETIC SEAL FOR VACUUM AND MOST PRESSURES. FOR PRESSURES ABOVE 150 PSI (10 BAR), CHECK WITH SALES ENGINEERING.
- ITEM 4 (NUT) DOES NOT SHIP WITH 3273-2 OR 3273-3.
- SEE DRAWING PAGE 2 FOR VERSIONS 3273-2, 3273-3, AND 3273-4.

PAVE#	ITEM 3	ITEM 3 DESCRIPTION	TEMPERATURE
3273	-219 NITRILE LT	O-RING -219 NITRILE 75 LOW-TEMP	-53 °C TO 80 °C
3273-1	-219 NITRILE LT	O-RING -219 NITRILE 75 LOW-TEMP	-53 °C TO 80 °C
3273-2	-219 NITRILE LT	O-RING -219 NITRILE 75 LOW-TEMP	-53 °C TO 80 °C
3273-3	-219 NITRILE LT	O-RING -219 NITRILE 75 LOW-TEMP	-53 °C TO 80 °C
3273-4	-219 NITRILE LT	O-RING -219 NITRILE 75 LOW-TEMP	-53 °C TO 80 °C
3273-5	-219 VITON	O-RING -219 VITON 75	-20 °C TO 80 °C

ITEM	QTY	PART NUMBER	DESCRIPTION
8	1	5406	SEE PG2 HOUSING NW50-SS SP30/13 ADAPTER
7	1	5134	SEE PG2 HOUSING NW40-SS VS15 ADAPTER
6	1	CF275-SS-X	SEE PG2 HOUSING CF275-SS-X W/ VS18 THREAD
5	A/R	PAVE-Seal 150	EPOXY BLACK
4	1	1014	NUT VS18-SS
3	1	SEE TABLE	SEE TABLE
2	1	WJP1F5	CONNECTOR RJ45 CAT5E/CAT6/CAT7 SHIELDED (2X) MOUNTED TO PCB
1	1	0660	HOUSING VS18-SS
ITEM	QTY	PART NUMBER	DESCRIPTION

PAVE technology co.

2751 Thunderhawk Court
Dayton, OH 45414-3445
U.S.A.
tel (937) 890-1100
fax (937) 8905165
www.pavetechnologyco.com

DESCRIPTION
VS18-SS-150-8-24-RJ45-RJ45

PART NUMBER
3273

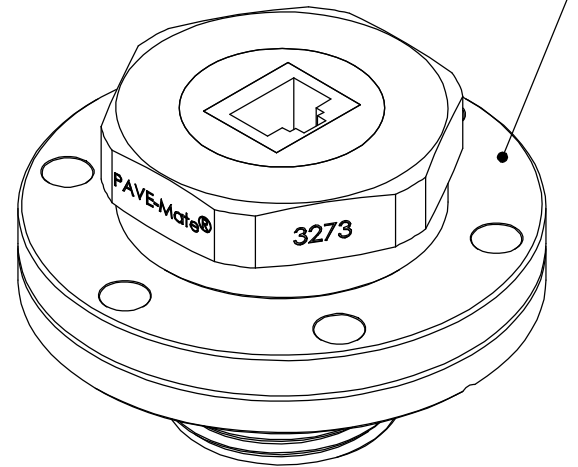
MATERIAL NOTED

REVISION LEVEL T

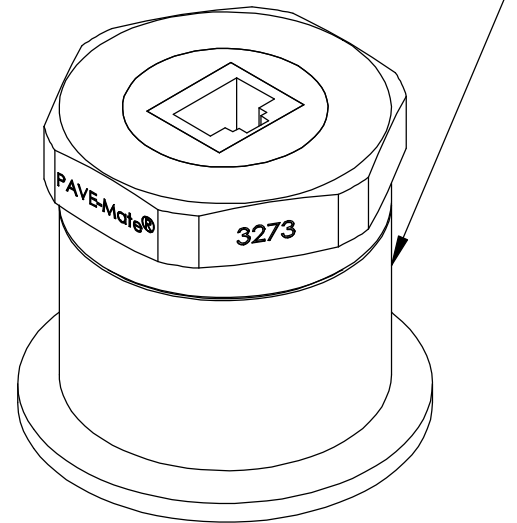
PROJECTION

ALL DIMENSIONS AND TOLERANCES APPLY TO FINISHED PART IN INCHES.
 ALLOWABLE TOLERANCES UNLESS SPECIFIED OTHERWISE: NONE ±0.5
 X.X DECIMAL ±0.1 X.XX DECIMAL ±0.02 X.XXX DECIMAL ±0.005
 ANGLES ±1 DEGREE SURFACE FINISH 128 microinch RMS

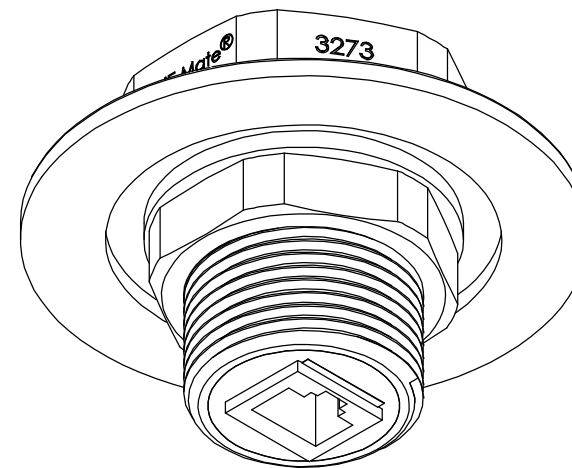
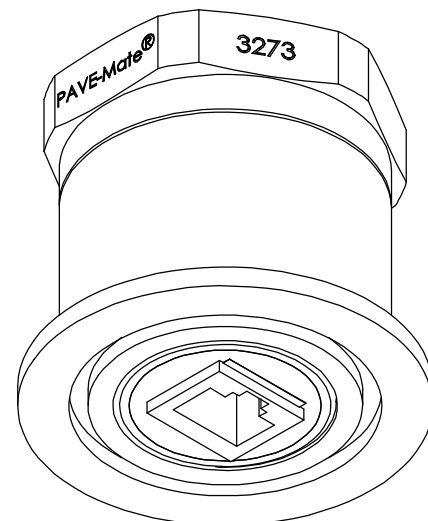
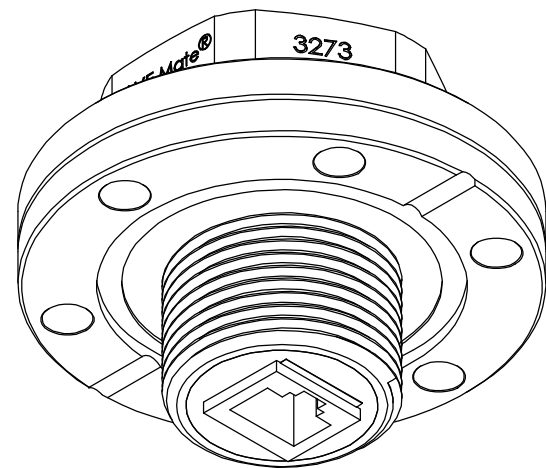
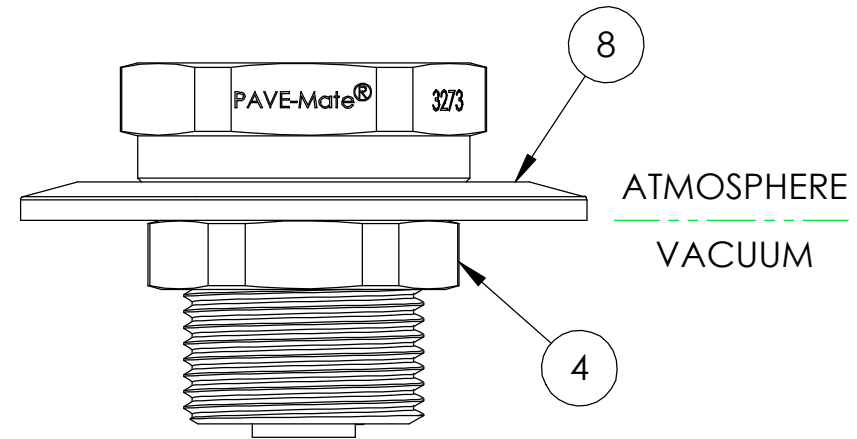
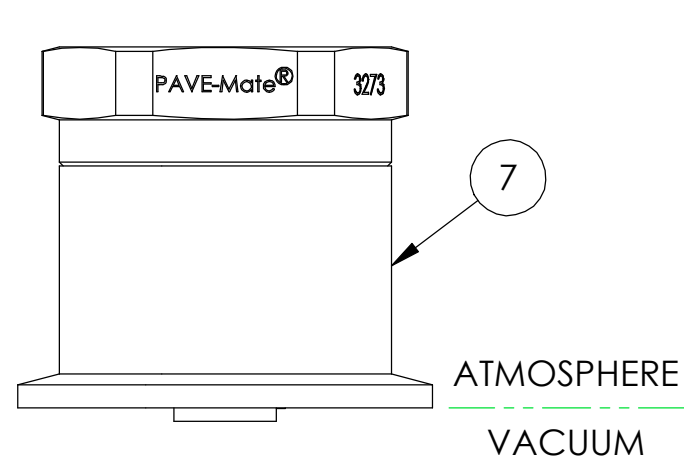
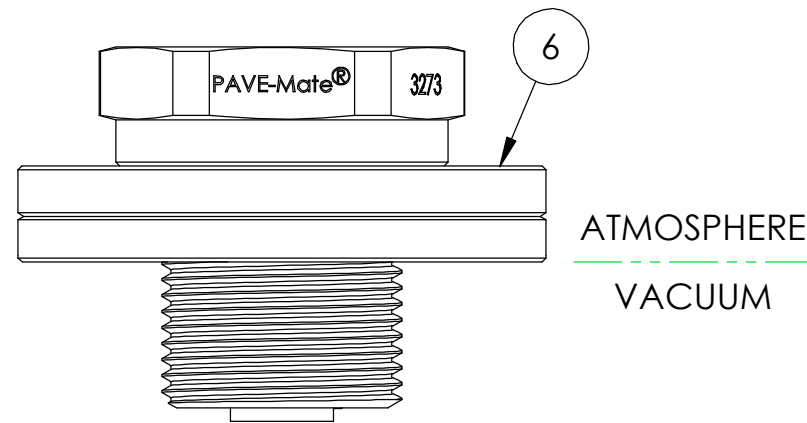
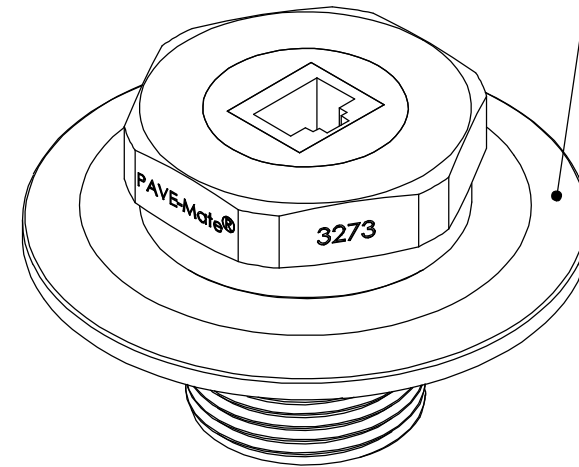
3273-2 ONLY
IS LEAK TESTED & SHIPS
MOUNTED TO A CF275
FLANGE (SS) AS SHOWN



3273-3 ONLY
IS LEAK TESTED & SHIPS
MOUNTED TO A NW40
FLANGE (SS) AS SHOWN



3273-4 ONLY
IS LEAK TESTED & SHIPS
MOUNTED TO A NW50
FLANGE (SS) AS SHOWN



ALL DIMENSIONS AND TOLERANCES APPLY TO FINISHED PART IN INCHES.
ALLOWABLE TOLERANCES UNLESS SPECIFIED OTHERWISE: NONE ±0.5
X.X DECIMAL ±0.1 X.XX DECIMAL ±0.02 X.XXX DECIMAL ±0.005
ANGLES ±1 DEGREE SURFACE FINISH 128 microinch RMS

		2751 Thunderhawk Court Dayton, OH 45414-3445 U.S.A. tel (937) 890-1100 fax (937) 8905165 www.pavetechnologyco.com	
		DESCRIPTION VS18-SS-150-8-24-RJ45-RJ45	
PART NUMBER 3273	MATERIAL NOTED	REVISION LEVEL H	PROJECTION