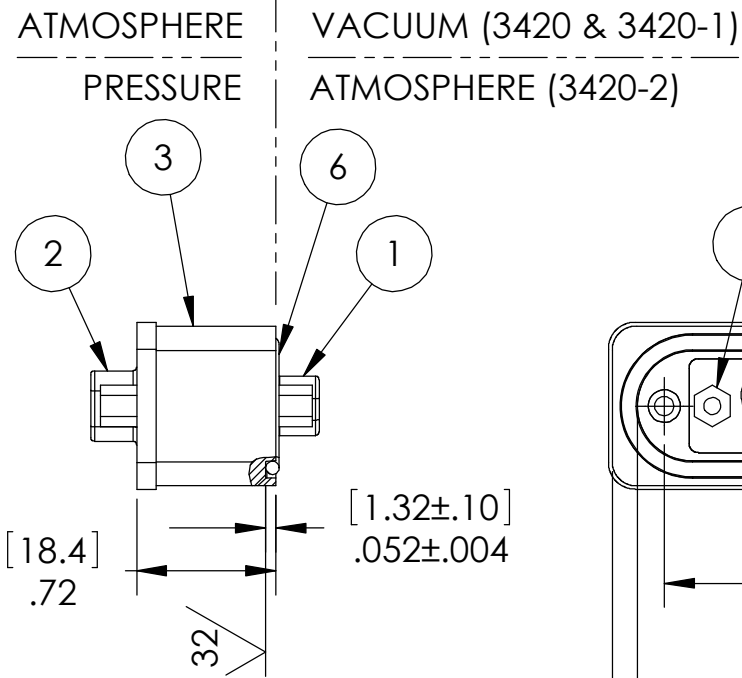
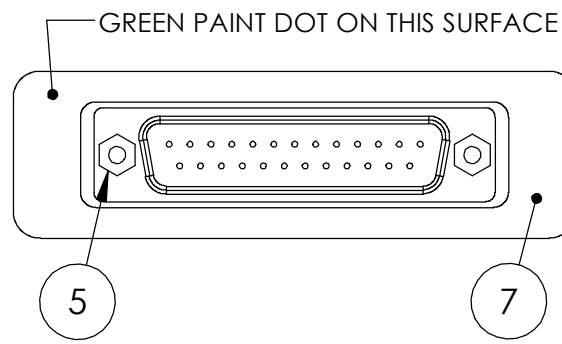
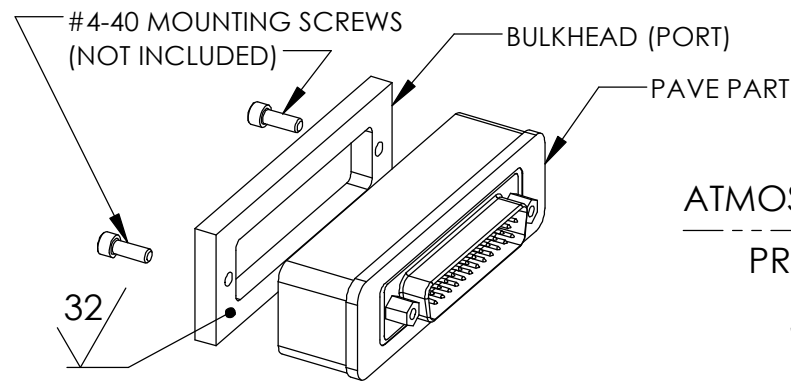


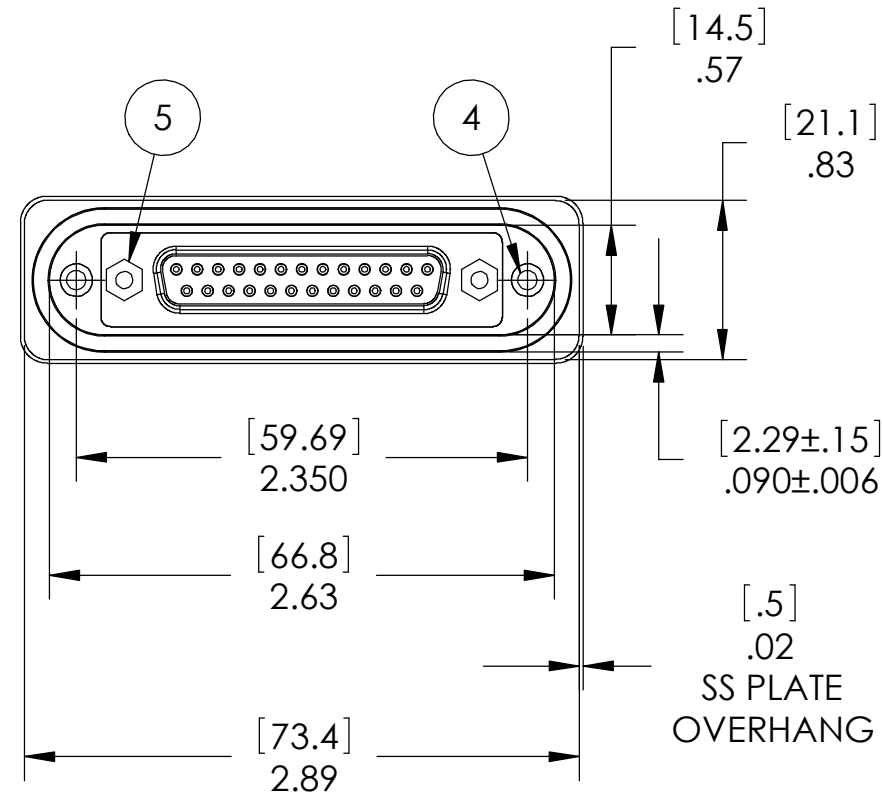
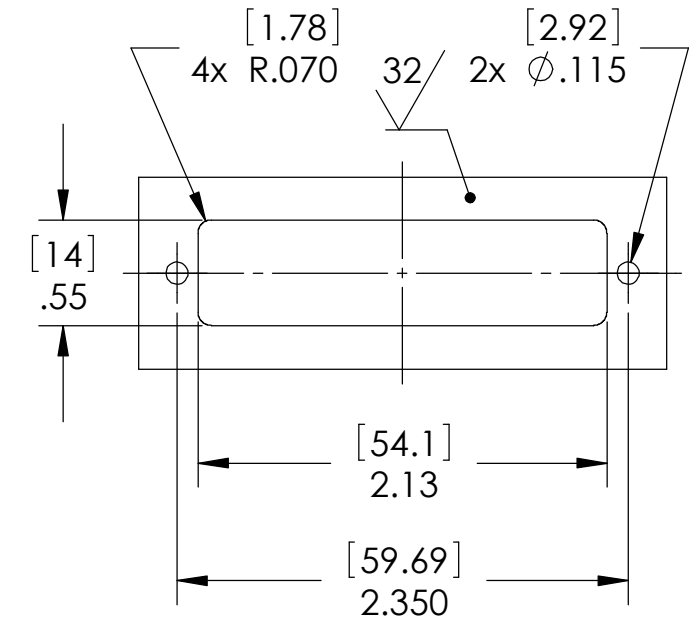
PART INSTALLATION, SCALE: 2:3



PAVE#	ITEM 6	ITEM 6 DESCRIPTION	TEMPERATURE RANGE
3420	-032 VITON	O-RING -032 VITON 75	-20 °C TO 105 °C
3420-1	-032 VM835-75	O-RING -032 VM835-75 VITON	-40 °C TO 105 °C
3420-2	-032 VITON	O-RING -032 VITON 75	-20 °C TO 105 °C

SP46/13 INSTALLATION PORT

SECURE PART WITH APPROPRIATE LENGTH #4-40 SCREWS



NOTES:

- LEAK TESTING, A GREEN PAINT DOT WHERE NOTED INDICATES THE PART HAS PASSED THE TEST:
3420 & 3420-1 ONLY: HE LEAK TEST @ 1 ATM. 1X10⁻⁶ CC/SEC OR LESS.
3420-2 ONLY: LEAK TEST 350 PSI, NO BUBBLES 30 SECONDS MINIMUM.
- HYPOT 630 VDC 500 MEGOHMS MINIMUM 0.01 SECOND MINIMUM PIN TO PIN AND CONNECTOR FLANGES WITH MATING CONNECTORS.
- ALL TESTS ARE PERFORMED AT ROOM TEMPERATURE.
- ALL PARTS MUST PASS ALL TESTS.
- COSMETIC SURFACE VOIDS NOT ON O-RING SEALING SURFACES ARE ACCEPTABLE BASED ON THE SEAL'S DIAMETER:
<= .5 [12.7] SEAL DIAMETER: ϕ .035 [.89] MAX ALLOWED VOID SIZE
> .5 [12.7] SEAL DIAMETER: ϕ .060 [1.5] MAX ALLOWED VOID SIZE
- CONTINUITY TEST <0.5 Ohm PINS TO SOCKETS WITH MATING CONNECTORS.
- REF-OPERATING TEMPERATURE RANGE PER TABLE.
- DIMENSIONS ARE INCHES [millimeters].
- APPENDING THE PAVE PART NUMBER WITH A "R" INDICATES THE PART IS REVERSED WITH SOCKETS ON THE ATMOSPHERE SIDE AND PINS ON THE VACUUM SIDE. (E.G., 3420-R, 3420-1R, 3420-2R)
- PAVE-Mate CAN BE A BI-DIRECTIONAL HERMETIC SEAL FOR VACUUM AND MOST PRESSURES. FOR PRESSURES ABOVE 150 PSI (10 BAR), CHECK WITH SALES ENGINEERING.
- 3420-2 ONLY SHIPS WITH MATING CONNECTORS (ITEMS 1 & 2) LOOSE.

7	1	3420PG2C	PLATE TOP SS
6	1	SEE TABLE	SEE TABLE
5	4	JACKPOST 4-40	"P" STYLE 4-40 UNC
4	2	YARDLEY#440A5-8	THREADED INSERT SS 4-40 X .12
3	A/R	PAVE-Seal 150	EPOXY BLACK
2	SEE NOTE 11 1 OR 2	171-025-103L001	PLUG D-SUB 25 #20 PINS PBT INSULATOR, NICKEL PLATED STEEL SHELL, GOLD PLATED BRASS PINS
1	SEE NOTE 11 1 OR 2	171-025-203L001	RCPT D-SUB 25 #20 SOCKETS PBT INSULATOR, NICKEL PLATED STEEL SHELL, GOLD PLATED BRASS SOCKETS
ITEM	QTY	PART NUMBER	DESCRIPTION

PAVE technology co.
2751 Thunderhawk Court
Dayton, OH 45414-3445
U.S.A.
tel (937) 890-1100
fax (937) 8905165
www.pavetechnologyco.com

DESCRIPTION
SP46/13-E-150-25-20-DSUB-DSUB

PART NUMBER *SEE NOTES 1, 9, 11 & TABLE
3420*

MATERIAL NOTED

REVISION LEVEL J

PROJECTION

ALL DIMENSIONS AND TOLERANCES APPLY TO FINISHED PART IN INCHES.
ALLOWABLE TOLERANCES UNLESS SPECIFIED OTHERWISE: NONE ±0.5
X.X DECIMAL ±0.1 X.XX DECIMAL ±0.02 X.XXX DECIMAL ±0.005
ANGLES ±1 DEGREE SURFACE FINISH 128 microinch RMS