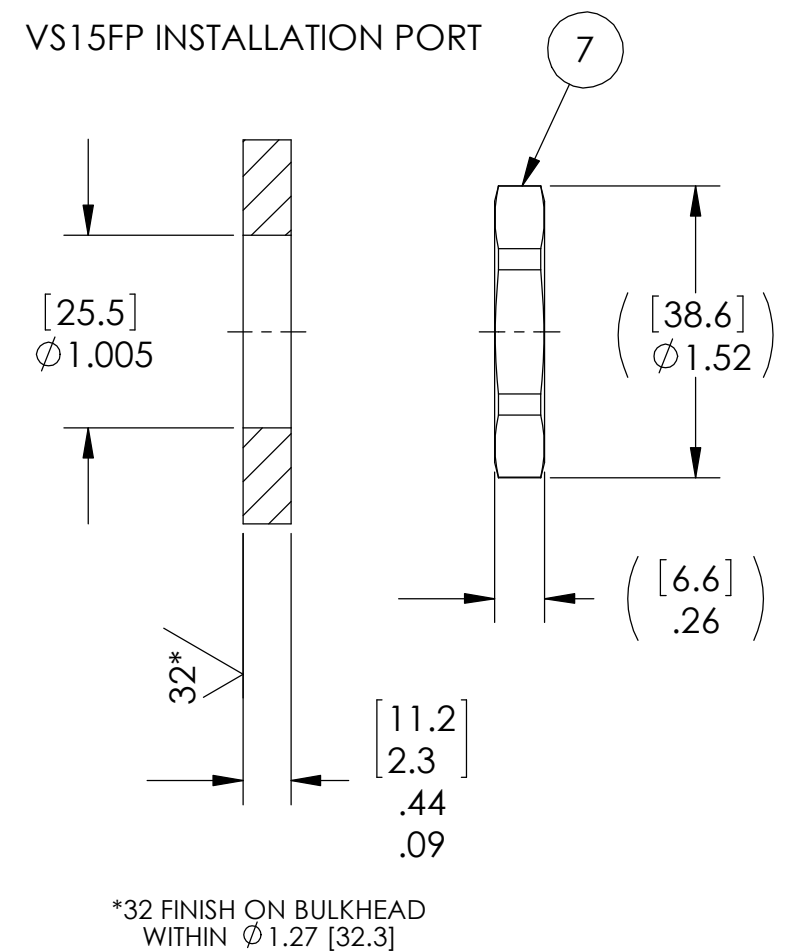


NOTES:

1. HE LEAK TEST @ 1ATM 10X10⁻⁷ CC/SEC OR LESS. A GREEN PAINT DOT ON THE ATMOSPHERE SIDE INDICATES THE PART HAS PASSED THE TEST.
2. HYPOT 630 VDC 500 MEGOHMS MINIMUM 0.01 SECOND MINIMUM CONDUCTOR TO CONDUCTOR AND HOUSING WITH MATING CONNECTORS.
3. ALL TESTS ARE PERFORMED AT ROOM TEMPERATURE.
4. ALL PARTS MUST PASS ALL TESTS.
5. PAVE 3653 DOES NOT INCLUDE ITEMS 8 & 9. PAVE 3653-1 INCLUDES ITEMS 8 & 9. REF-ITEM 8 CAN BE INSTALLED ON STRANDED Cat 5e CABLE WITH STANDARD RJ45 MODULAR PLUG TERMINATION TOOLING.
6. COSMETIC SURFACE VOIDS NOT ON O-RING SEALING SURFACES ARE ACCEPTABLE BASED ON THE SEAL'S DIAMETER:
 <= .5 [12.7] SEAL DIAMETER: Ø .035 [.89] MAX ALLOWED VOID SIZE
 > .5 [12.7] SEAL DIAMETER: Ø .060 [1.5] MAX ALLOWED VOID SIZE
7. REF-OPERATING TEMPERATURE RANGE -59 °C TO 80 °C.
8. DIMENSIONS ARE INCHES [millimeters].
9. PAVE-SEAL CAN BE A BI-DIRECTIONAL HERMETIC SEAL FOR VACUUM AND MOST PRESSURES. FOR PRESSURES ABOVE 150 PSI (10 BAR), CHECK WITH SALES ENGINEERING.
10. INSTALLED PART IS HERMETICALLY SEALED AT THE BULKHEAD WITH OR WITHOUT THE MATING CONNECTORS ATTACHED.
11. WHEN USED WITH A PROPERLY RATED CAP OR CABLE ON THE ATMOSPHERE SIDE, THE CONNECTOR MAINTAINS AN IP67 ENVIRONMENTAL RATING.
12. WHEN INSTALLING A CAP OR PLUG ON THE ABS THREADS (ATMOSPHERE SIDE), HAND TIGHTEN ONLY.

9	1	65-0300	*SEE NOTES 5, 11, & 12	CAP PROTECTIVE PA6 NYLON GF IP67
8	1	ENQAM315	*SEE NOTES 5, 11, & 12	PLUG RJ45 MALE IP67 FIELD INSTALLABLE
7	1	3671		NUT VS15FP-B
6	1	-024 BUTYL		O-RING -024 BUTYL 70
5	1	-		O-RING WJP1F5 NITRILE
4	1	-		HOUSING WJP1F5 ABS THREADS
3	1	WJP1F5		CONNECTOR RJ45 CAT5E/CAT6/CAT7 SHIELDED (2X) MOUNTED TO PCB
2	A/R	PAVE-Seal 150		EPOXY BLACK
1	1	3670		HOUSING VS15FP-AL ANODIZED MIL-A-8625 TYPE-II CLASS-2 (BLACK)
ITEM	QTY	PART NUMBER		DESCRIPTION

VS15FP INSTALLATION PORT



ALL DIMENSIONS AND TOLERANCES APPLY TO FINISHED PART IN INCHES.
 ALLOWABLE TOLERANCES UNLESS SPECIFIED OTHERWISE: NONE ±0.5
 X.X DECIMAL ±0.1 X.XX DECIMAL ±0.02 X.XXX DECIMAL ±0.005
 ANGLES ±1 DEGREE SURFACE FINISH 128 microinch RMS

PAVE technology co.

2751 Thunderhawk Court
 Dayton, OH 45414-3445
 U.S.A.
 tel (937) 890-1100
 fax (937) 8905165
 www.pavetechnologyco.com

DESCRIPTION
 VS15FP-AL-150-8-24-RJ45-RJ45

PART NUMBER
3653

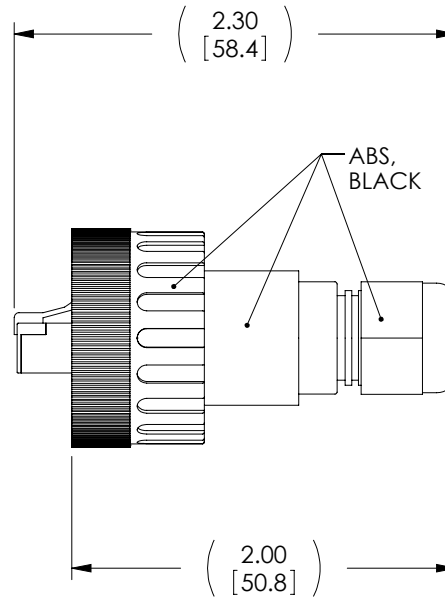
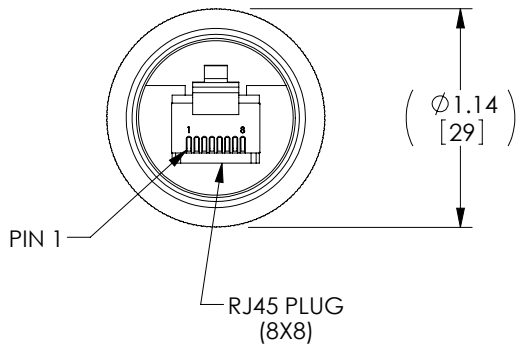
MATERIAL NOTED

REVISION LEVEL J

PROJECTION

THE INFORMATION CONTAINED IN THIS DRAWING IS THE SOLE PROPERTY OF L-COM, INC. ANY REPRODUCTION IN PART OR WHOLE WITHOUT THE WRITTEN PERMISSION OF L-COM, INC. IS PROHIBITED.

REVISIONS			
REV	DESCRIPTION	DATE	APPROVED
A	INITIAL RELEASE	3/23/11	D.GRIFFIN



NOTES:

1. INGRESS PROTECTION RATING IP67.
2. COMPONENT SHALL BE INDIVIDUALLY PACKAGED IN ACCORDANCE WITH L-COM SPEC. PS-0031.

RoHS Compliant ✓

UNLESS OTHERWISE SPECIFIED, DIMENSIONS ARE IN INCHES [mm] OVERALL CABLE LENGTH TOLERANCE: ≤12 [305] = +1 [25] / -0 >12 [305] ≤60 [1524] = +2 [51] / -0 >60 [1524] ≤120 [3048] = +4 [102] / -0 >120 [3048] ≤300 [7620] = +6 [152] / -0 >300 [7620] = +3% / -0% ALL OTHER DIMENSIONAL TOLERANCES: .X = ±.2 .XX = ±.02 .XXX = ±.005	APPROVALS DRAWN BY D. CASTRO CHECKED BY D. PARHAM APPROVED BY J. RUST	DATE 3/22/11 3/22/11 3/22/11	45 BEECHWOOD DRIVE NORTH ANDOVER, MA 01845		
	CONFIGURATION DETAILS OF UNDIMENSIONED FEATURES MAY VARY			CATEGORY MODULAR	
PROJECTION 	COLOR VARIATIONS MAY OCCUR	SIZE A	FSCM NO. 43321	DWG. NO. WJAM315	REV. A
		SCALE: NONE	CAD FILE: WJAM315.SLDDRW		SHEET 1 OF 1