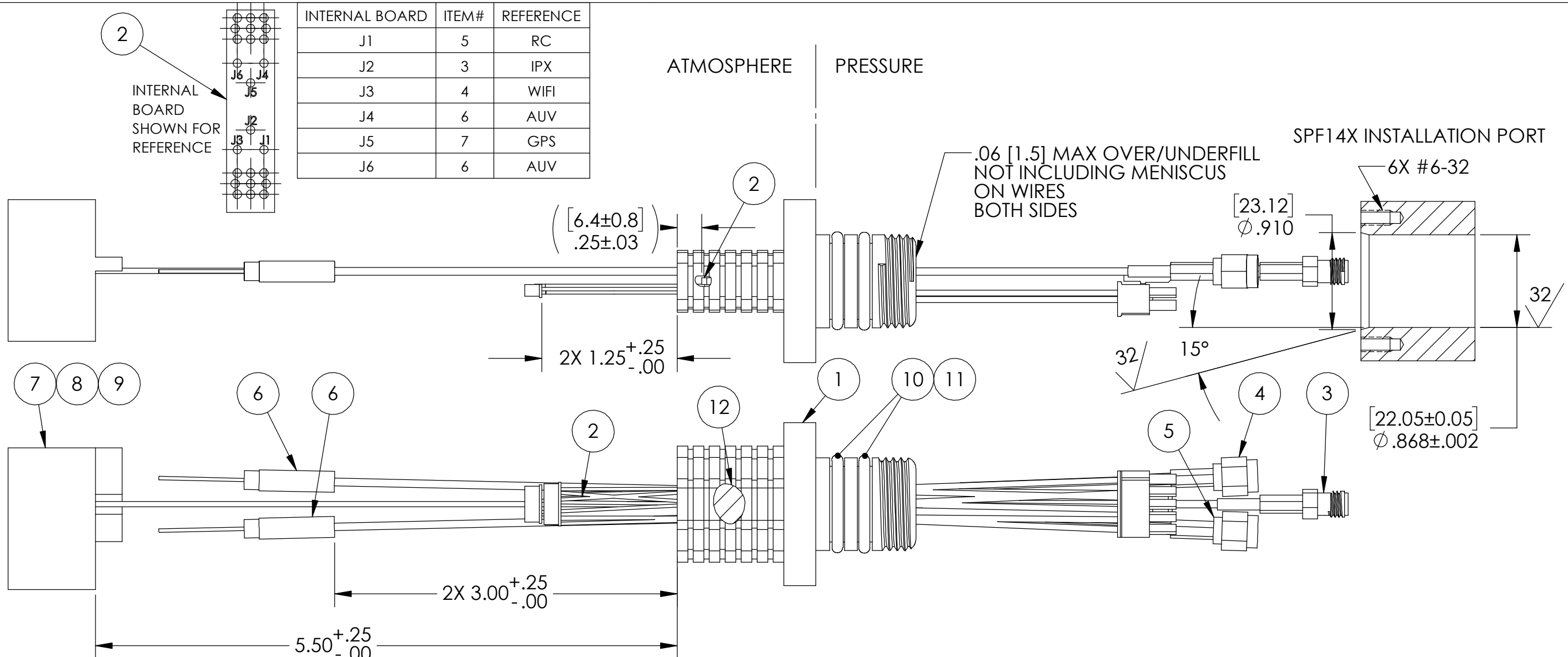


INTERNAL BOARD	ITEM#	REFERENCE
J1	5	RC
J2	3	IPX
J3	4	WIFI
J4	6	AUV
J5	7	GPS
J6	6	AUV



NOTES:

- LEAK TEST: 2200 PSI N2, NO BUBBLES 1 MINUTE MINIMUM. A GREEN PAINT DOT INDICATES THE PART HAS PASSED THE TEST.
- RESISTANCE CHECK <2 OHMS:
ITEM 6 CENTER CONDUCTOR AND SHIELD TO ITEM 4 CENTER CONDUCTOR AND SHIELD &
ITEM 6 CENTER CONDUCTOR AND SHIELD TO ITEM 5 CENTER CONDUCTOR AND SHIELD
- ALL TESTS ARE PERFORMED AT ROOM TEMPERATURE.
- ALL PARTS MUST PASS ALL TESTS.
- WIRE POSITIONING IS APPROXIMATE & VARIABLE.
- COSMETIC SURFACE VOIDS NOT ON O-RING SEALING SURFACES ARE ACCEPTABLE BASED ON THE SEAL'S DIAMETER:
<= .5 [12.7] SEAL DIAMETER: Ø .035 [.89] MAX ALLOWED VOID SIZE
> .5 [12.7] SEAL DIAMETER: Ø .060 [1.5] MAX ALLOWED VOID SIZE
- REF-OPERATING TEMPERATURE -20 °C TO 125 °C.
- DIMENSIONS ARE INCHES [millimeters].
- PAVE-SEAL IS A BI-DIRECTIONAL HERMETIC SEAL FOR VACUUM AND NOTED PRESSURE.

12	A/R	PAVE-Seal 150	EPOXY BLACK
11	A/R	PARKER O-LUBE	LUBRICANT O-RING BARIUM-BASED
10	2	-115 VITON	O-RING -115 VITON 75
9	4	60-00283-00	SCREW PAN HEAD PHILLIPS #2-56 X 3/16" 316 SS
8	1	62-10037-00	ANTCOM ANTENNA MOUNT
7	1	63-00140-00	GPS/IRIDIUM ANTENNA BACKMOUNT
6	2	19-00345-00	CABLE AUV SMA-RP TO RP-SMA 8"
5	1	19-00347-00	CABLE ANTENNA RC FOR GENII ANTENNA
4	1	19-00346-00	CABLE ANTENNA WIFI FOR GENII ANTENNA
3	1	19-00332-00	CABLE ANTENNA IPX CABLE FOR GENII ANTENNA
2	1	54-05059-00	CIRCUIT WATER BLOCK ANTENNA IVER FAMILY
1	1	62-01133-00	HOUSING SPF14X-T
ITEM	QTY	PART #	DESCRIPTION

PAVE technology co.

2751 Thunderhawk Court
Dayton, OH 45414-3445
U.S.A.
tel (937) 890-1100
fax (937) 8905165
www.pavetechnologyco.com

DESCRIPTION
SPF14X-T-150-3/9-RG178/24

PART NUMBER
5277

MATERIAL NOTED

REVISION LEVEL
F

PROJECTION

ALL DIMENSIONS AND TOLERANCES APPLY TO FINISHED PART IN INCHES.
ALLOWABLE TOLERANCES UNLESS SPECIFIED OTHERWISE: NONE ±0.5
X.X DECIMAL ±0.1 X.XX DECIMAL ±0.02 X.XXX DECIMAL ±0.005
ANGLES ±1 DEGREE SURFACE FINISH 128 microinch RMS