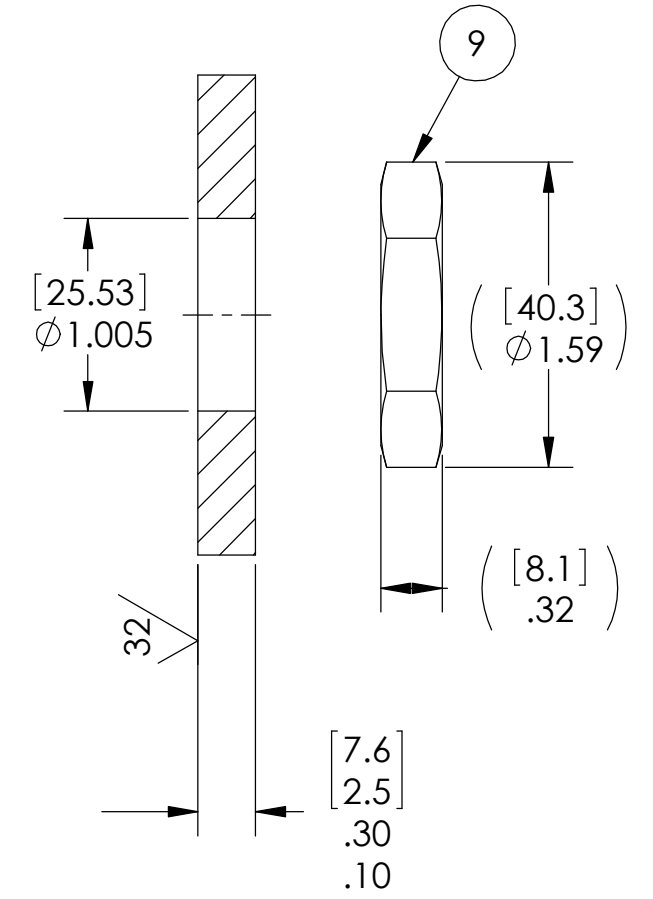


VS15 INSTALLATION PORT



NOTES:

1. HE LEAK TEST @1 ATM. 1X10⁻⁶ CC/SEC OR LESS. A GREEN PAINT DOT ON THE ATMOSPHERE SIDE INDICATES THE PART HAS PASSED THE TEST.
2. HYPOT 630 VDC 500 MEGOHMS MINIMUM 0.01 SECOND MINIMUM WIRE TO WIRE AND HOUSING.
3. ALCOHOL OR FOMBLIN YVAC 3 MAY BE USED TO LUBRICATE O-RINGS FOR VACUUM HELIUM LEAK TESTING.
4. ALL TESTS ARE PERFORMED AT ROOM TEMPERATURE.
5. ALL PARTS MUST PASS ALL TESTS.
6. WIRE POSITIONING IS APPROXIMATE & VARIABLE, WIRES ARE NOT REQUIRED TO BEND SHARPLY AT EPOXY SEAL SURFACE.
7. COSMETIC SURFACE VOIDS NOT ON O-RING SEALING SURFACES ARE ACCEPTABLE BASED ON THE SEAL'S DIAMETER:
 <= .5 [12.7] SEAL DIAMETER: ϕ .035 [.89] MAX ALLOWED VOID SIZE
 > .5 [12.7] SEAL DIAMETER: ϕ .060 [1.5] MAX ALLOWED VOID SIZE
8. DIMENSIONS ARE INCHES [millimeters].
9. REF-OPERATING TEMPERATURE -20°C TO 125°C.
10. PAVE-SEAL CAN BE A BI-DIRECTIONAL HERMETIC SEAL FOR VACUUM AND MOST PRESSURES. FOR PRESSURES ABOVE 150 PSI (10 BAR), CHECK WITH SALES ENGINEERING.

ITEM	QTY	PART NUMBER	DESCRIPTION
9	1	1129	NUT VS15-AL
8	1	-215 VITON	O-RING -215 VITON 75
7	2	E30 WHITE	WIRE 30E MIL-W-16878/4 7/#38
6	2	E30 RED	WIRE 30E MIL-W-16878/4 7/#38
5	2	E30 GREEN	WIRE 30E MIL-W-16878/4 7/#38
4	2	E30 BLACK	WIRE 30E MIL-W-16878/4 7/#38
3	16	KT30	CABLE T/C TYPE K 30AWG TEFLON
2	A/R	PAVE-Seal 150	EPOXY BLACK
1	1	1898	HOUSING VS15-AL

PAVE technology co.
 2751 Thunderhawk Court
 Dayton, OH 45414-3445
 U.S.A.
 tel (937) 890-1100
 fax (937) 8905165
 www.pavetechnologyco.com

DESCRIPTION
 VS15-AL-150-16P/8-KT30/TE30-12-48

PART NUMBER
5294

MATERIAL NOTED

REVISION LEVEL
 A

PROJECTION

ALL DIMENSIONS AND TOLERANCES APPLY TO FINISHED PART IN INCHES.
 ALLOWABLE TOLERANCES UNLESS SPECIFIED OTHERWISE: NONE ±0.5
 X.X DECIMAL ±0.1 X.XX DECIMAL ±0.02 X.XXX DECIMAL ±0.005
 ANGLES ±1 DEGREE SURFACE FINISH 128 microinch RMS