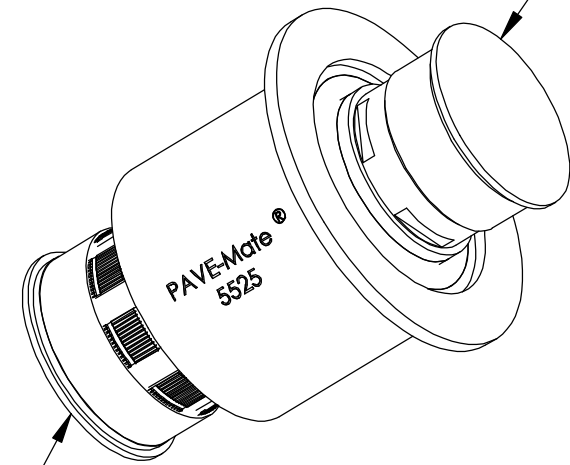


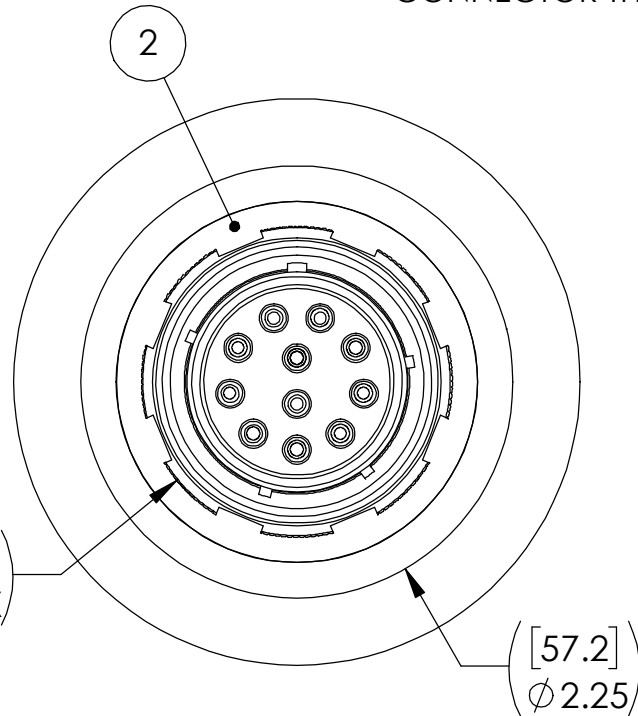
REF-ASSEMBLY
SCALE: 2:3

ASSEMBLY SHIPS WITH MAUNFACTURER'S
PROTECTIVE PLASTIC CAPS INSTALLED



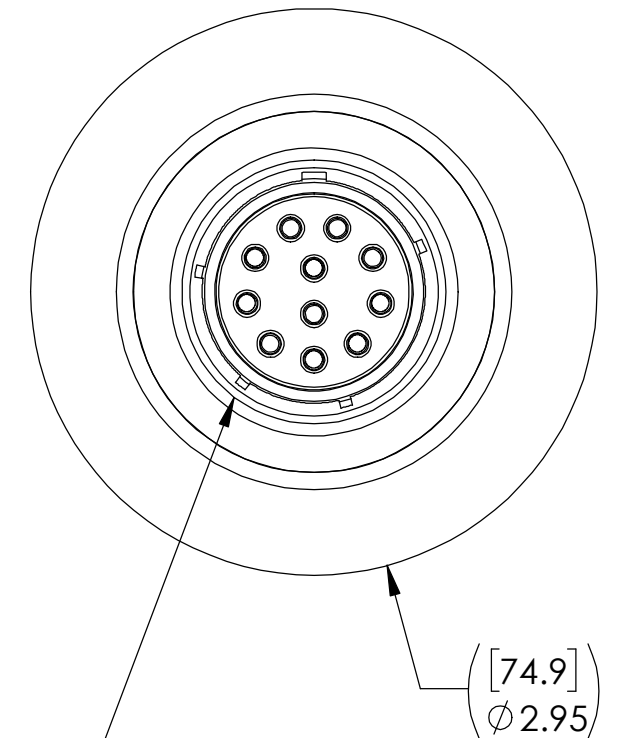
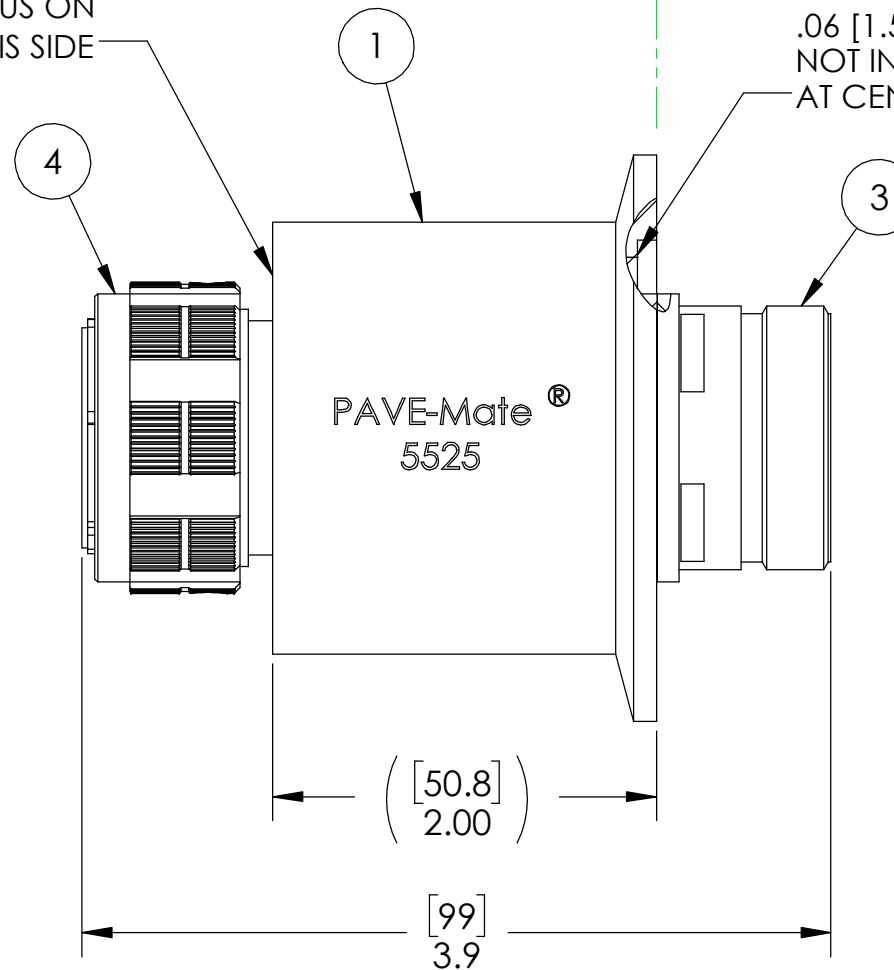
ASSEMBLY SHIPS WITH MAUNFACTURER'S
PROTECTIVE PLASTIC CAPS INSTALLED

.06 [1.5] MAXIMUM OVER/UNDERFILL,
NOT INCLUDING MENISCUS ON
CONNECTOR THIS SIDE



ATMOSPHERE | VACUUM

.06 [1.5] MAXIMUM OVER/UNDERFILL,
NOT INCLUDING MENISCUS ON CONNECTOR
AT CENTERING RING STEP THIS SIDE



RECEPTACLE CENTERED
WITH HOUSING WITHIN
.14 [3.6] THIS SIDE

NOTES:

1. HE LEAK TEST @ 1 ATM. 1×10^{-6} CC/SEC OR LESS. A GREEN PAINT DOT ON THE ATMOSPHERE SIDE INDICATES THE PART HAS PASSED THE TEST.
2. HYPOT 1000 VDC 500 MEGOHMS MINIMUM 0.01 SECOND MINIMUM PIN TO PIN AND HOUSING.
3. CONTINUITY TEST <0.5 OHM PIN TO SOCKET WITH MATING CONNECTORS.
4. ALCOHOL OR FOMBLIN YVAC 3 MAY BE USED TO LUBRICATE O-RINGS FOR VACUUM HELIUM LEAK TESTING.
5. ALL TESTS ARE PERFORMED AT ROOM TEMPERATURE.
6. ALL PARTS MUST PASS ALL TESTS.
7. COSMETIC SURFACE VOIDS NOT ON O-RING SEALING SURFACES ARE ACCEPTABLE BASED ON THE SEAL'S DIAMETER:
<= .5 [12.7] SEAL DIAMETER: Ø .035 [.89] MAX ALLOWED VOID SIZE
> .5 [12.7] SEAL DIAMETER: Ø .060 [1.5] MAX ALLOWED VOID SIZE
8. REF-OPERATING TEMPERATURE RANGE -20°C TO 125°C.
9. DIMENSIONS ARE INCHES [millimeters].
10. PAVE-SEAL CAN BE A BI-DIRECTIONAL HERMETIC SEAL FOR VACUUM AND MOST PRESSURES. FOR PRESSURES ABOVE 150 PSI (10 BAR), CHECK WITH SALES ENGINEERING.

4	1	26FG11PN	PLUG 11#12 PIN NICKEL PLATED ALUMINUM SHELL GOLD PLATED COPPER ALLOY CONTACTS
3	1	20FG11SN	RCPT 11#12 SOCKET NICKEL PLATED ALUMINUM SHELL GOLD PLATED COPPER ALLOY CONTACTS
2	A/R	PAVE-Seal 150	EPOXY BLACK
1	1	4962	HOUSING NW50-SS
ITEM	QTY	PART NUMBER	DESCRIPTION

PAVE technology co.

2751 Thunderhawk Court
Dayton, OH 45414-3445
U.S.A.
tel (937) 890-1100
fax (937) 8905165
www.pavetechnologyco.com

DESCRIPTION
NW50-SS-150-11-12-99926/20PS

PART NUMBER
5525

MATERIAL NOTED

REVISION LEVEL -

PROJECTION

ALL DIMENSIONS AND TOLERANCES APPLY TO FINISHED PART IN INCHES.
ALLOWABLE TOLERANCES UNLESS SPECIFIED OTHERWISE: NONE ±0.5
X.X DECIMAL ±0.1 X.XX DECIMAL ±0.02 X.XXX DECIMAL ±0.005
ANGLES ±1 DEGREE SURFACE FINISH 128 microinch RMS