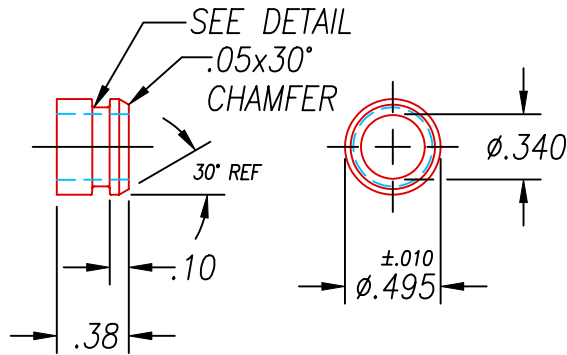
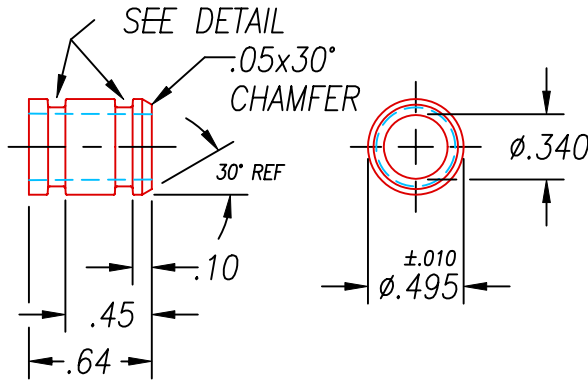


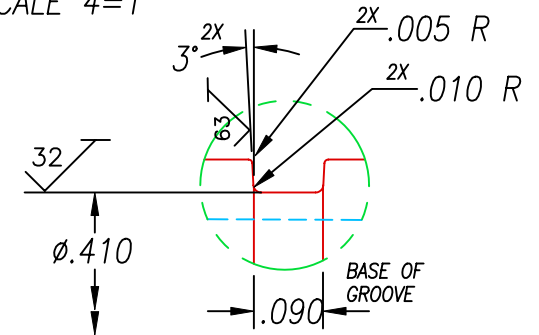
SP8S MOLDED HOUSING



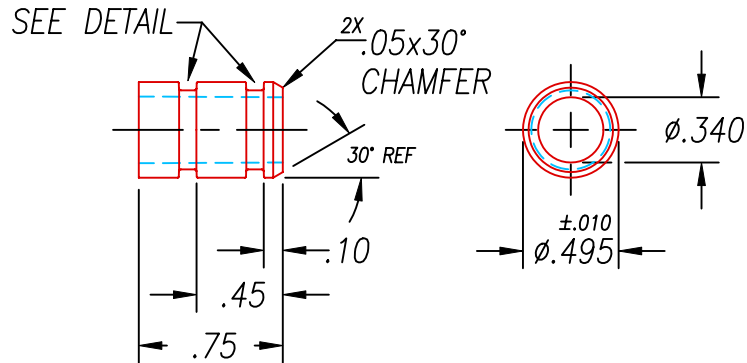
SP8M MOLDED HOUSING



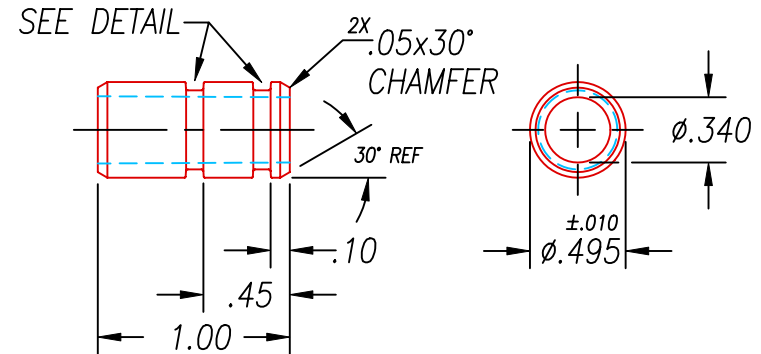
O-RING GROOVE DETAIL  
SCALE 4=1



SP8A MOLDED HOUSING



SP8L MOLDED HOUSING



NOTES:

1. FINISHED PARTS ARE DEFLASHED ON PARTING LINE +.005 MAX AND CLEANED.

ALL DIMENSIONS AND TOLERANCES APPLY TO FINISHED PART IN INCHES  
 ALLOWABLE TOLERANCES UNLESS SPECIFIED OTHERWISE: NONE +/-0.5  
 .X DECIMAL +/- 0.1 .XX DECIMAL +/- 0.02 .XXX DECIMAL +/-0.005  
 ANGLES +/- 1 DEG SURFACE FINISH 128 microinch RMS

**PAVE technology co.**  
 2751 Thunderhawk Court  
 Dayton, Ohio 45414-3445  
 U.S.A.  
 (937)890-1100  
 fax (937)890-5165  
 www.pavetechnologyco.com

DESCRIPTION <b>SP8 MOLDED HOUSINGS</b>	
PART NUMBER <b>1226</b>	REVISION LEVEL <b>B</b>
PROJECTION	