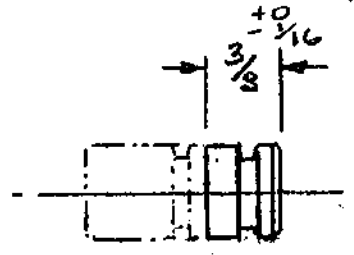
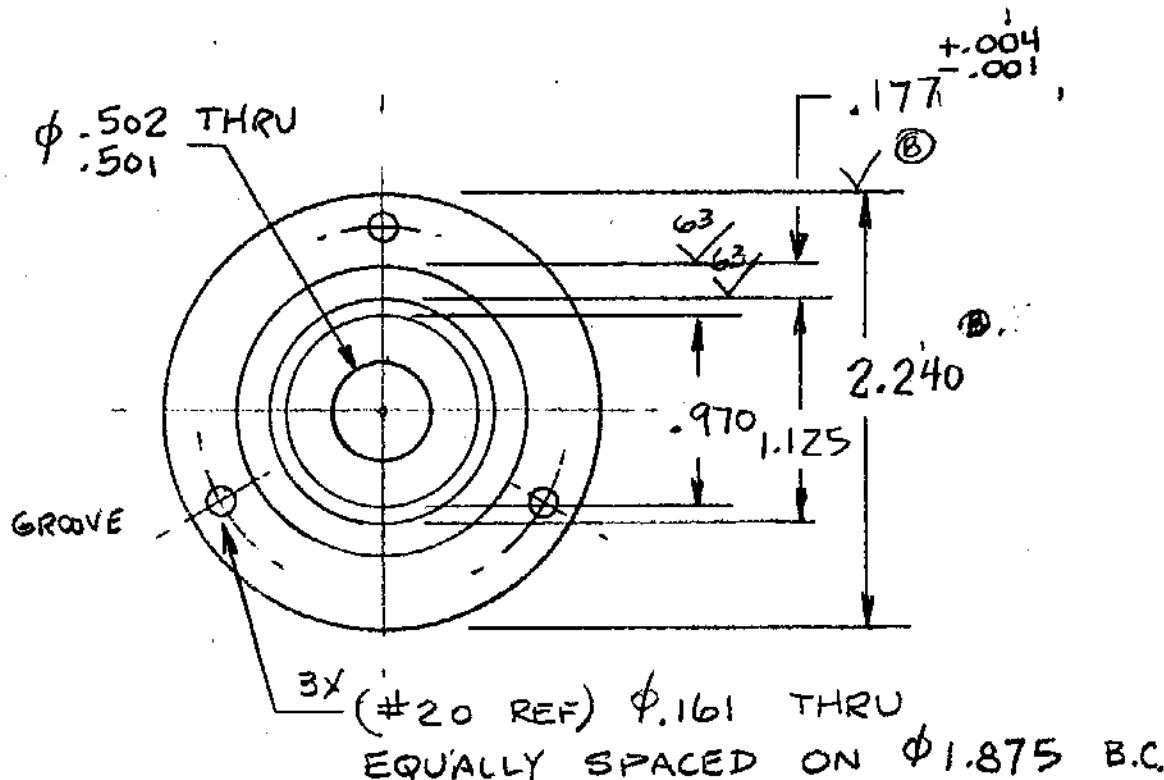
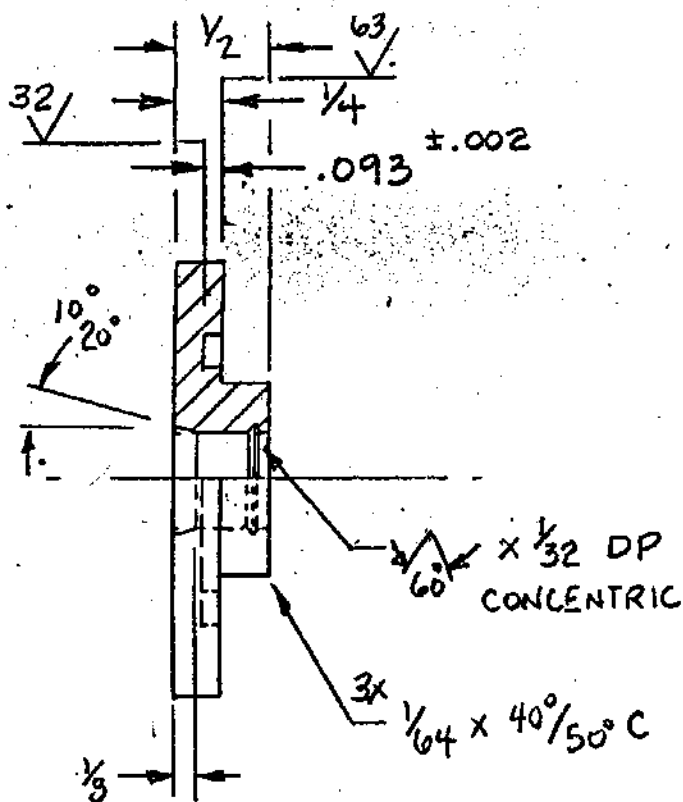


DO NOT SCALE PRINT

ISSUE LET.	ALTERATIONS	CHANGE NO.	DATE
A	ADDED CUTOFF MOLDED PART	111	1/13/88
B	ADDED V TO O.D. REQUIRED O.D.	111	1/16/88



- ① 2. MODIFY MOLDED HSG AS SHOWN
 1. O-RING SIZE - 216 REF
 NOTES:

PAVE MOLDED PART
 CUTOFF TO DIM SHOWN

		PAVE Technology Co. Pressure and Vacuum Electronics Custom Hermetic Connectors	
TITLE HOUSING, WAFER			
MATERIAL 6061-T6 ALUMINUM			
DR. BY <i>111</i>	APPROVED BY	DRAWN FROM EXTRION	
CHD BY	DATE 11/20/87	SCALE 1/1	
PART NUMBER 0136			

SEAL
FINISH GLASS BEAD BLAST CLEAR ANODIZE

ALL DIM. AND TOLERANCES APPLY TO FINISHED PART UNLESS OTHERWISE SPECIFIED.
 ALLOWABLE TOLERANCES UNLESS OTHERWISE SPECIFIED:
 FRACTIONS ± 1/64 DECIMALS ± .005 ANGLES ± 1°