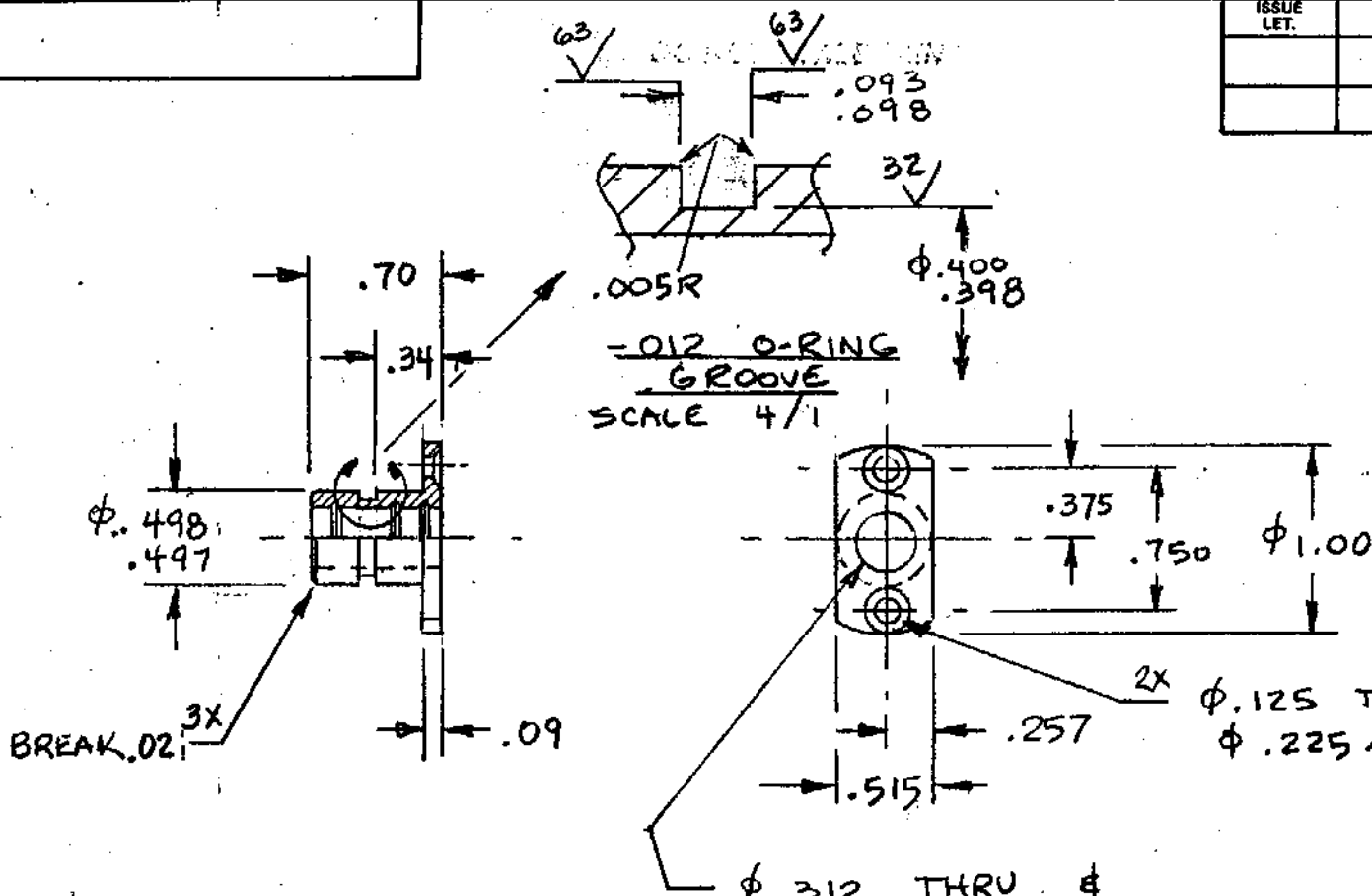


ISSUE LET.	ALTERATIONS	CHANGE NO.	DATE




φ = 770 / 15

BREAK .02 3X

.005R
 .012 O-RING GROOVE
 SCALE 4/1

(3) 60° X 1/32 DP CONCENTRIC GROOVES
 AT APPROX .10, .25, & .56 DEPTHS

2X φ.125 THRU φ.225 X B2° C'SINK

		PAVE Technology Co. Pressure and Vacuum Electronics Custom Hermetic Connectors	
TITLE HOUSING TACTILE SENS			
MATERIAL 304 STAINLESS ST'L			
DR. BY <i>HLH</i>	APPROVED BY	DRAWN FROM EXTRION	
CHD BY	DATE 11/20/87	SCALE 1/1	
PART NUMBER 0137			

SEAL
FINISH

ALL DIM. AND TOLERANCES APPLY TO FINISHED PART UNLESS OTHERWISE SPECIFIED.
 ALLOWABLE TOLERANCES UNLESS OTHERWISE SPECIFIED:
 .XXX DECIMALS ± .005 ANGLES ± 1°
 .XX DECIMALS ± .02