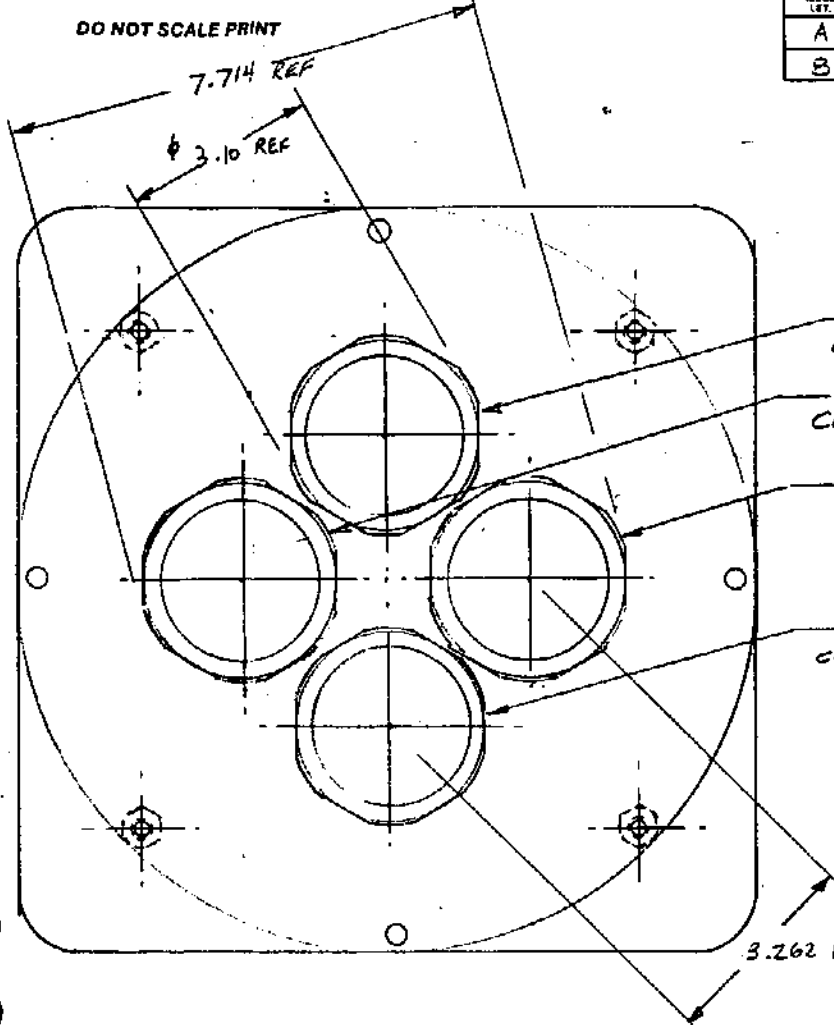
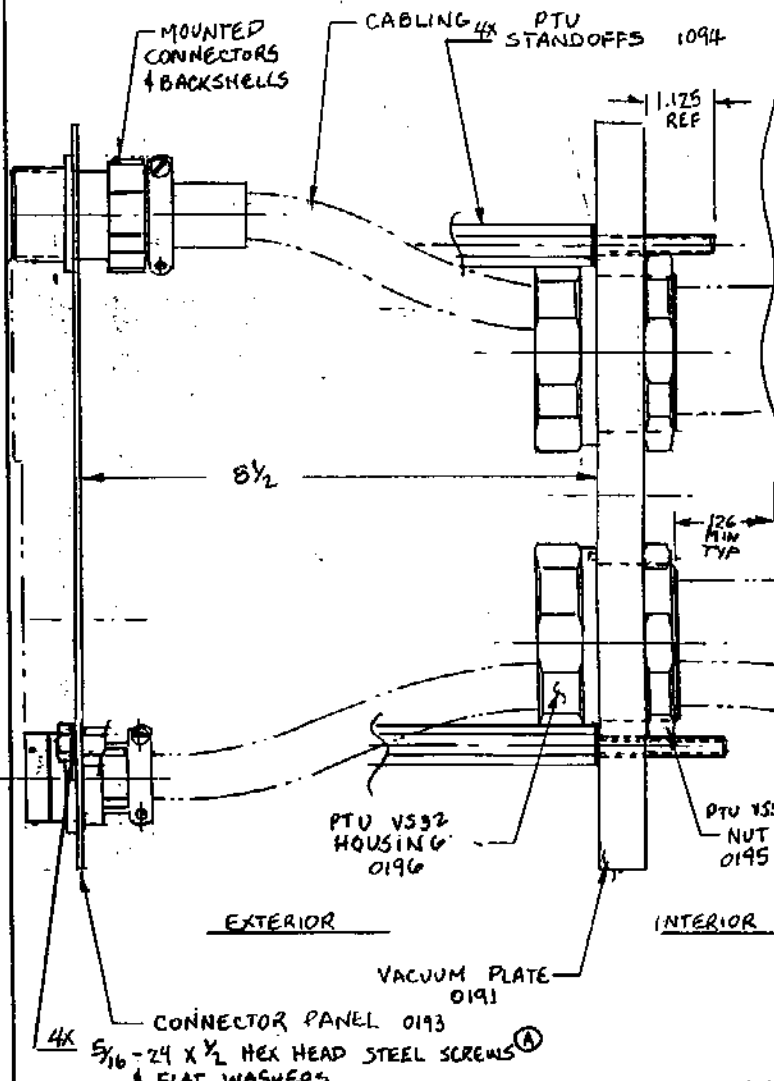


DO NOT SCALE PRINT

ISSUE LET.	ALTERATIONS	CHANGE NO.	DATE
A	ADDED NOTES & PART NO.'S & REF DIM'S	1/11/88	9/1/82
B	REVISED CABLING	2/16	1/5/88



- NOTE - CABLING FOR CONNECTORS J1, J2, J3, J7
- NOTE - CABLING FOR CONNECTORS J4, J5, J7
- NOTE - CABLING FOR CONNECTORS J6, J8, J9
- NOTE - CABLING FOR CONNECTORS J10, J11, J12

REAR VIEW OF ASSY

NOTE - NOTE SHOWN ARE INTERIOR CONNECTORS & BACKSHELLS

ALL DIM. AND TOLERANCES APPLY TO FINISHED PART UNLESS OTHERWISE SPECIFIED. ALLOWABLE TOLERANCES UNLESS OTHERWISE SPECIFIED. FRACTIONS: 1/64 DECIMALS: .005 ANGLES: 1°

		PAVE Technology Co.	
		Pressure and Vacuum Electronics Custom Hermetic Connectors	
TITLE THERMAL VAC PLATE ASSY			
MATERIAL NOTED			
DR BY JHL	APPROVED BY	DRAWN FROM GEN DYNAMIC	
CHD BY	DATE 8/1/88	SCALE 2/1	
PART NUMBER 0190			