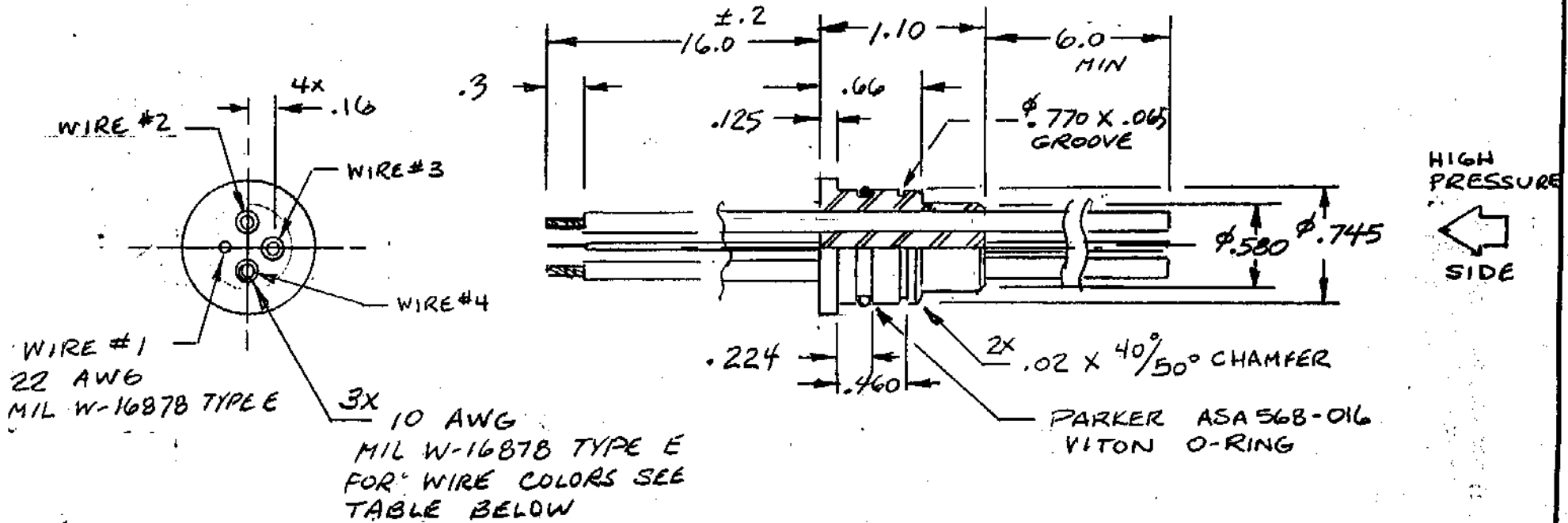


DO NOT SCALE PRINT

ISSUE LET.	ALTERATIONS	CHANGE NO.	DATE



WIRE #1
22 AWG
MIL W-16878 TYPE E

WIRE #2
4x .16

WIRE #3
3x .3

WIRE #4
3x

10 AWG
MIL W-16878 TYPE E
FOR WIRE COLORS SEE
TABLE BELOW

PARKER ASA 568-016
VITON O-RING

- 1000 VAC HYPOT TEST 5mA MAX LEAKAGE
 - PROOF PRESSURE 100 PSI N₂ IN ϕ .750^{+0.002} BORE-LEAKAGE^{NO}
 - OPERATING PRESSURE -50 PSI MAX
 - OPERATING TEMPERATURE -100°C TO 200°C
 - OPERATING ENVIRONMENT - AIRBORNE TRANSFORMER (FLUORINERT)^{3M}
- NOTES:

WIRE TABLE

-4	GREEN	YELLOW/BROWN	YELLOW/RED	YELLOW/ORANGE
-3	YELLOW	VIOLET/BROWN	VIOLET/RED	VIOLET/ORANGE
-2	ORANGE	GREEN/BROWN	GREEN/RED	GREEN/ORANGE
6425042-1	RED	GRAY/BROWN	GRAY/RED	GRAY/ORANGE
ASSY NO.	WIRE #1	WIRE #2	WIRE #3	WIRE #4

SEAL
HI-TEMP

FRESH

ALL DIM. AND TOLERANCES APPLY TO FINISHED PART UNLESS OTHERWISE SPECIFIED.
ALLOWABLE TOLERANCES UNLESS OTHERWISE SPECIFIED -
XXX DECIMALS ±.005 ANGLES ± 1°
XX ±.02

		PAVE Technology Co. Pressure and Vacuum Electronics Custom Hermetic Connectors	
TITLE POWER PASSTHRU			
MATERIAL NOTED			
DR. BY HW	APPROVED BY	DRAWN FROM ALLIED/SIG AEROSPACE	
CHD BY	DATE 3/13/89	SCALE 1/1	
PART NUMBER 0228			