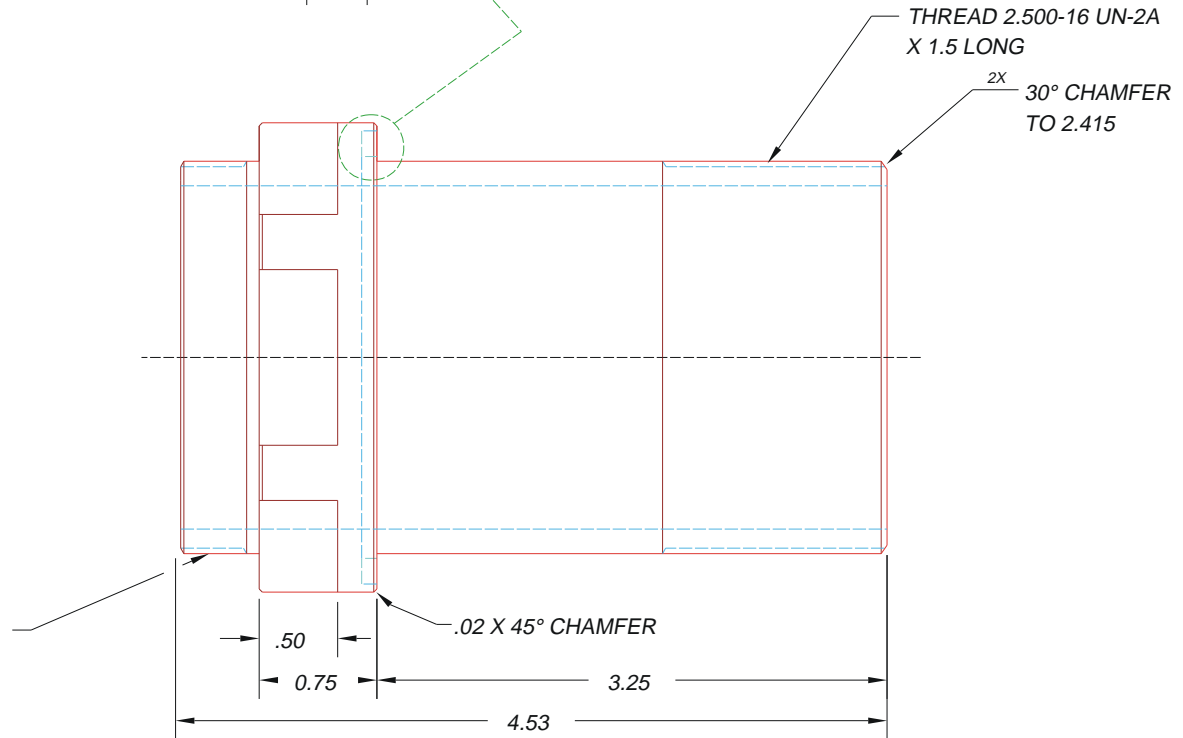


2.500-18 UNS-2A
X .47 LONG



(A)

NOTES:
1. PRINT SHOWS EXTERNAL DIMENSIONS ONLY.

TITLE OR PAVE ORDER CODE	
HOUSING, VS32L, AL	
PART NUMBER	PROJECTION
0653	