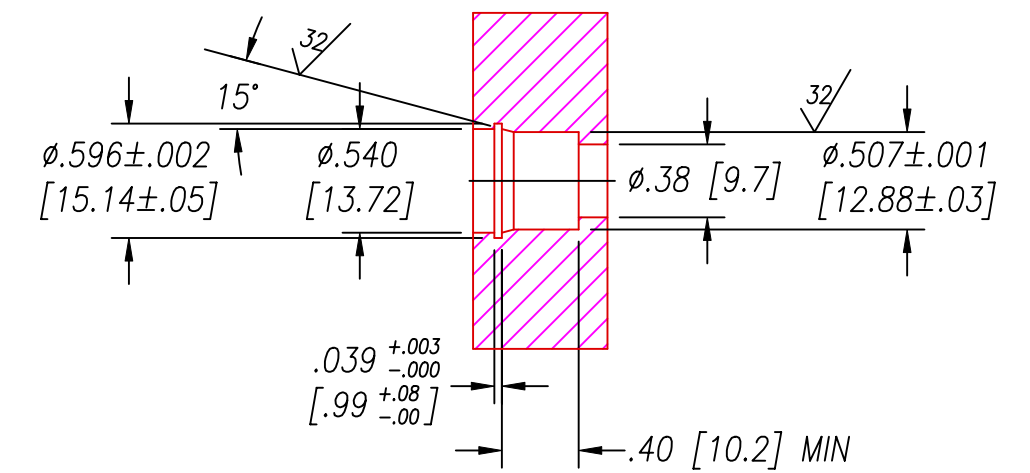
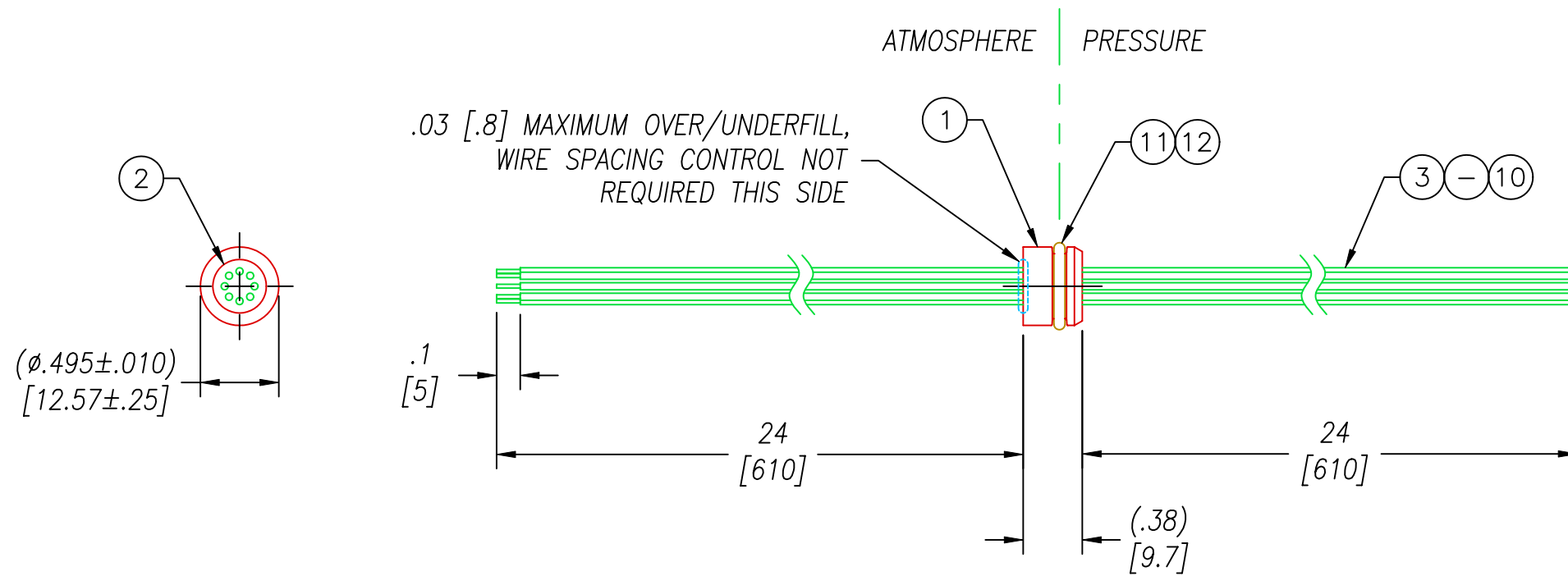


SP8S INSTALLATION PORT



RECOMMENDED RETAINING RING  
TRUARC N5000-56 OR EQUAL

NOTES:

1. LEAK TEST: 80 PSI, NO BUBBLES 2 MINUTES MINIMUM.
2. HYPOT 630 VDC 500 MΩ 0.01 SEC MINIMUM, WIRE TO WIRE.
3. ALL TESTS ARE PERFORMED AT ROOM TEMPERATURE.
4. ALL PARTS MUST PASS ALL TESTS.
5. WIRE POSITIONS ARE APPROXIMATE & COLOR POSITIONS MAY VARY.
6. NO VOIDS ARE ACCEPTABLE ON O-RING SEALING SURFACES, VOIDS SMALLER THAN 0.035 [0.89] ARE ACCEPTABLE ON ALL OTHER SURFACES.
7. REF-PARTS ARE DEFLASHED ON PARTING LINE +.005 [.13] MAXIMUM.
8. DIMENSIONS ARE INCHES [millimeters].

12	A/R	PARKER O-LUBE	LUBRICANT O-RING BARIUM-BASED
11	1	-012 BUNA	O-RING -012 BUNA 75
10	1	IPC22 U1429 BRN	WIRE 22IPC UL1429 .010 7/#30
9	1	IPC22 U1429 RED	WIRE 22IPC UL1429 .010 7/#30
8	1	IPC22 U1429 ORG	WIRE 22IPC UL1429 .010 7/#30
7	1	IPC22 U1429 YEL	WIRE 22IPC UL1429 .010 7/#30
6	1	IPC22 U1429 GRN	WIRE 22IPC UL1429 .010 7/#30
5	1	IPC22 U1429 BLU	WIRE 22IPC UL1429 .010 7/#30
4	1	IPC22 U1429 VIO	WIRE 22IPC UL1429 .010 7/#30
3	1	IPC22 U1429 BLK	WIRE 22IPC UL1429 .010 7/#30
2	A/R	PAVE-Seal 150	EPOXY BLACK
1	1	1226S	HOUSING SP8S-E
ITEM	QTY	PART#	DESCRIPTION

ALL DIMENSIONS AND TOLERANCES APPLY TO FINISHED PART IN INCHES  
ALLOWABLE TOLERANCES UNLESS SPECIFIED OTHERWISE: NONE +/-0.5  
.X DECIMAL +/- 0.1 .XX DECIMAL +/- 0.02 .XXX DECIMAL +/-0.005  
ANGLES +/- 1 DEG SURFACE FINISH 128 microinch RMS

2751 Thunderhawk Court  
Dayton, Ohio 45414-3445  
U.S.A.  
(937)890-1100  
fax (937)890-5165  
www.pavetechnologyco.com

**PAVE technology co.**

DESCRIPTION PAVE-Seal Cable Harnesses  
SP8S-E-150-8-IPC22-24-24

PART NUMBER 1846

REVISION LEVEL A

PROJECTION