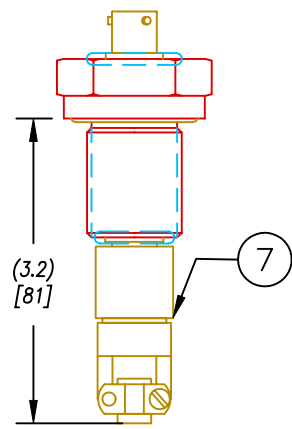
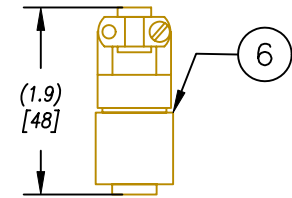
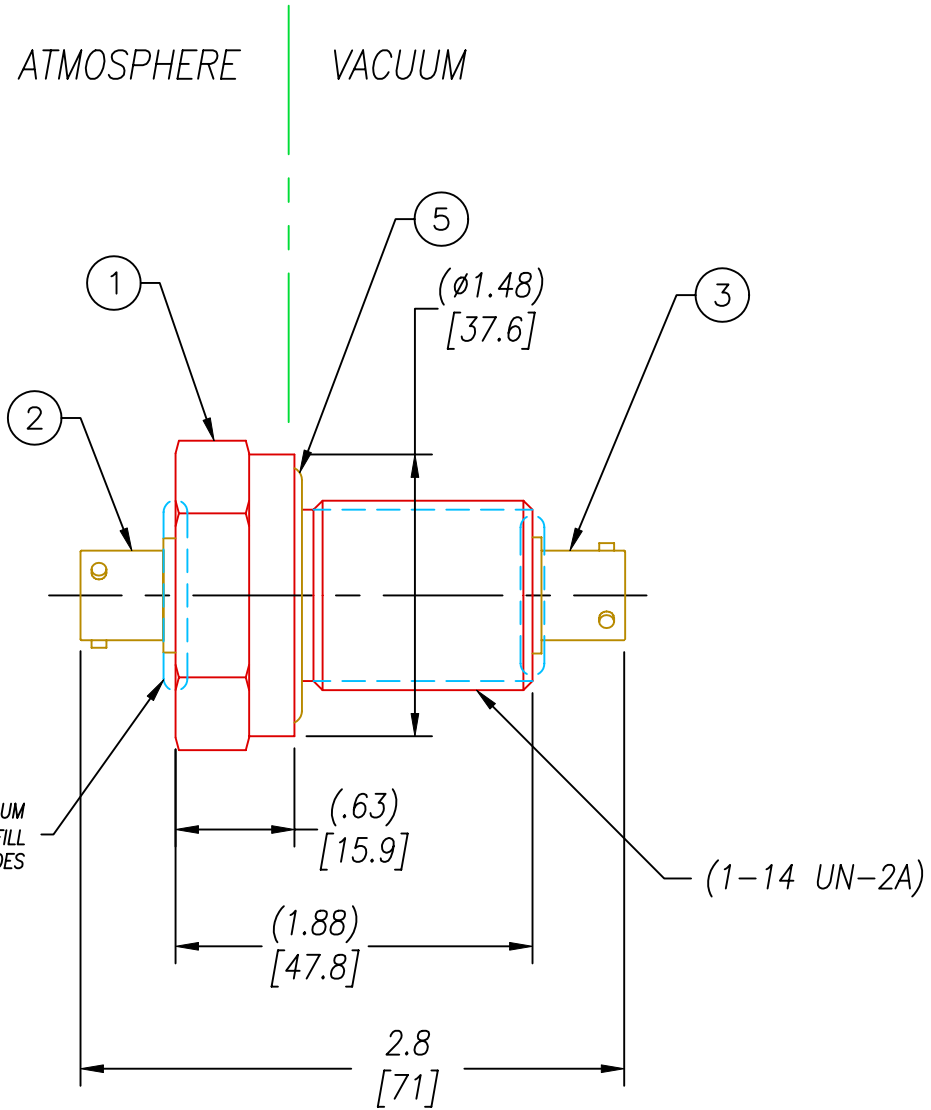
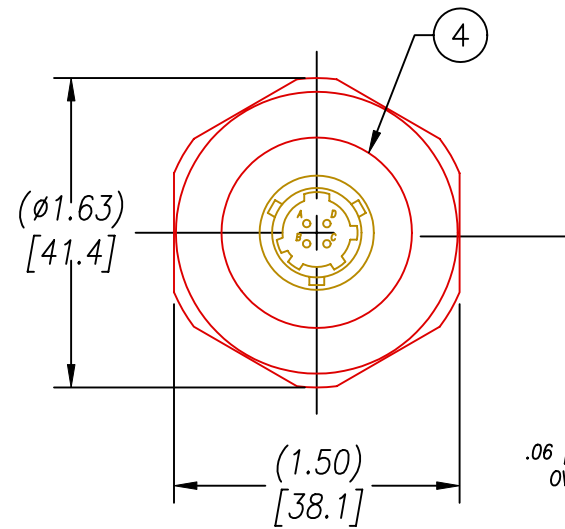


SCALE 1=2

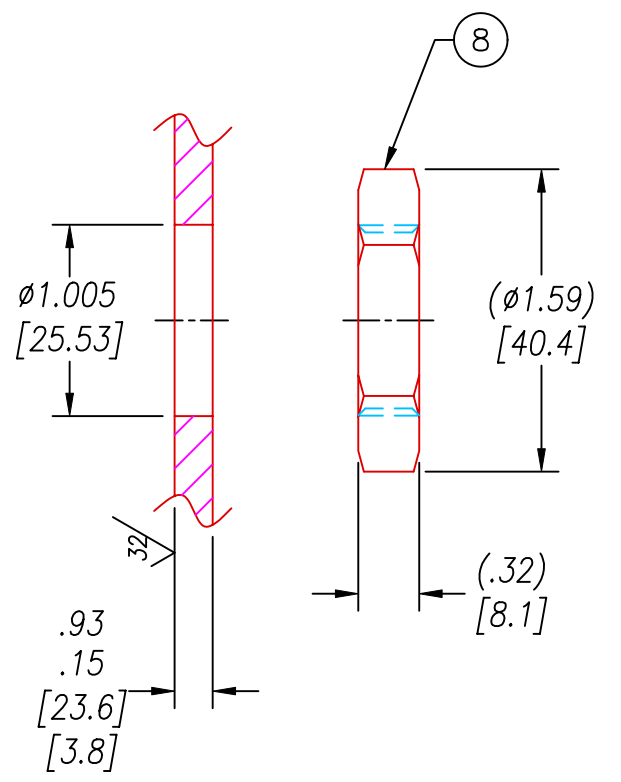
UNPLUGGED LENGTH



INSTALLED LENGTH



VS15L INSTALLATION PORT



- NOTES:
1. HE LEAK TEST @1 ATM.  $10 \times 10^{-8}$  CC/S OR LESS. A GREEN PAINT DOT INDICATES PART HAS PASSED THE TEST.
  2. HYPOT 1000 VDC 500 MΩ 0.01 SEC MINIMUM, PIN TO PIN & HOUSING.
  3. ALL TESTS ARE PERFORMED AT ROOM TEMPERATURE.
  4. ALL PARTS MUST PASS ALL TESTS.
  5. VOIDS LARGER THAN .035 [.89] ARE NOT ACCEPTABLE.
  6. DIMENSIONS ARE INCHES [millimeters].
  7. REF-OPERATING TEMPERATURE  $-20^{\circ}\text{C}$  TO  $125^{\circ}\text{C}$ .
  8. ALCOHOL OR FOMBLIN YVAC 3 MAY BE USED TO LUBE O-RINGS FOR VACUUM HELIUM LEAK TESTING.
  9. PAVE-SEA CAN BE A BI-DIRECTIONAL HERMETIC SEAL FOR VACUUM AND MOST PRESSURES. FOR PRESSURES ABOVE 150 PSI (10 BAR), CHECK WITH SALES ENGINEERING.

8	1	0183	NUT VS15-SS
7	1	SC3116F8-4P	PLUG 4#20 PINS ELECTROLESS NICKEL PLATED
6	1	SC3116F8-4S	PLUG 4#20 SOCKETS ELECTROLESS NICKEL PLATED
5	1	-215 VITON	O-RING -215 VITON 75
4	A/R	PAVE-Seal 150	EPOXY BLACK
3	1	SC3112E8-4S	RCPT 4#20 SOCKETS ELECTROLESS NICKEL PLATED
2	1	SC3112E8-4P	RCPT 4#20 PINS ELECTROLESS NICKEL PLATED
1	1	0161	HOUSING VS15L-SS
ITEM	QTY	PART#	DESCRIPTION

ALL DIMENSIONS AND TOLERANCES APPLY TO FINISHED PART IN INCHES  
 ALLOWABLE TOLERANCES UNLESS SPECIFIED OTHERWISE: NONE +/-0.5  
 .X DECIMAL +/- 0.1 .XX DECIMAL +/- 0.02 .XXX DECIMAL +/-0.005  
 ANGLES +/- 1 DEG SURFACE FINISH 128 microinch RMS

2751 Thunderhawk Court  
 Dayton, Ohio 45414-3445  
 U.S.A.  
 (937)890-1100  
 fax (937)890-5165  
 www.pavetechnologyco.com

**PAVE technology co.**

DESCRIPTION **PAVE-Mate® I Connectors**  
**VS15L-SS-150-4-20-3112PS**

PART NUMBER **2681**

REVISION LEVEL **B**

PROJECTION