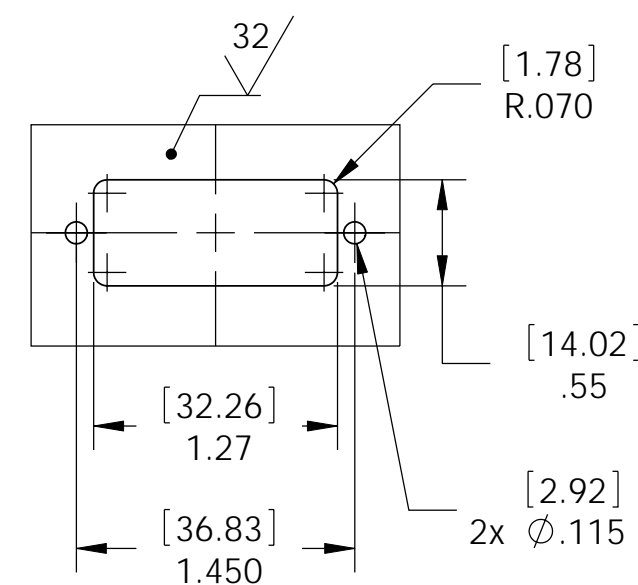


SP30/13 INSTALLATION PORT



NOTES:

1. HE LEAK TEST @ 1ATM. 10×10^{-7} CC/S OR LESS.
2. HYPOT 630 VDC 500 MΩ MINIMUM 0.01 SECOND MINIMUM WIRE TO WIRE AND RCPT FLANGES.
3. CONTINUITY TEST <0.5 Ohms PIN TO SOCKET.
4. ALL TESTS ARE PERFORMED AT ROOM TEMPERATURE.
5. ALL PARTS MUST PASS ALL TESTS.
6. NO COSMETIC SURFACE VOIDS ARE ACCEPTABLE ON O-RING SEALING SURFACES, COSMETIC SURFACE VOIDS SMALLER THAN $\varnothing 0.035$ [0.89] ARE ACCEPTABLE ON ALL OTHER SURFACES.
7. REF-OPERATING TEMPERATURE RANGE -20 TO 105 °C.
8. 2749-1 IS SHIPPED MOUNTED TO A NW50 FLANGE.
9. 2749-2 IS SHIPPED MOUNTED TO A NW63 FLANGE.
10. 2749-R IS REVERSED WITH PINS ON VACUUM SIDE AND SOCKETS ON ATMOSPHERE SIDE.
11. DIMENSIONS ARE INCHES [millimeters].

7	1	3461	PLATE TOP SS
6	1	-026 VITON	O-RING -026 VITON 75
5	4	JACKPOST 4-40	"P" STYLE 4-40 UNC
4	2	YARDLEY#440A5-8	THREADED INSERT SS
3	A/R	PAVE-Seal 150	EPOXY BLACK
2	1	180-015-203L001	RCPT D-SUB HIGH DENSITY 15 SOCKET PBT INSULATOR, NICKEL PLATED STEEL SHELL, GOLD PLATED BRASS SOCKETS
1	1	180-015-103L001	PLUG D-SUB HIGH DENSITY 15 PIN PBT INSULATOR, NICKEL PLATED STEEL SHELL, GOLD PLATED BRASS PINS
ITEM	QTY	PART NUMBER	DESCRIPTION

ALL DIMENSIONS AND TOLERANCES APPLY TO FINISHED PART IN INCHES.
 ALLOWABLE TOLERANCES UNLESS SPECIFIED OTHERWISE: NONE ±0.5
 X.X DECIMAL ±0.1 X.XX DECIMAL ±0.02 X.XXX DECIMAL ±0.005
 ANGLES ±1 DEGREE SURFACE FINISH 128 microinch RMS

PAVE technology co.
 2751 Thunderhawk Court
 Dayton, OH 45414-3445
 U.S.A.
 tel (937) 890-1100
 fax (937) 8905165
 www.pavetechnologyco.com

DESCRIPTION
 SP30/13-E-150-15-22-DSUB-DSUB

PART NUMBER *SEE NOTES 8, 9, & 10
2749*

MATERIAL NOTED

REVISION LEVEL K

PROJECTION