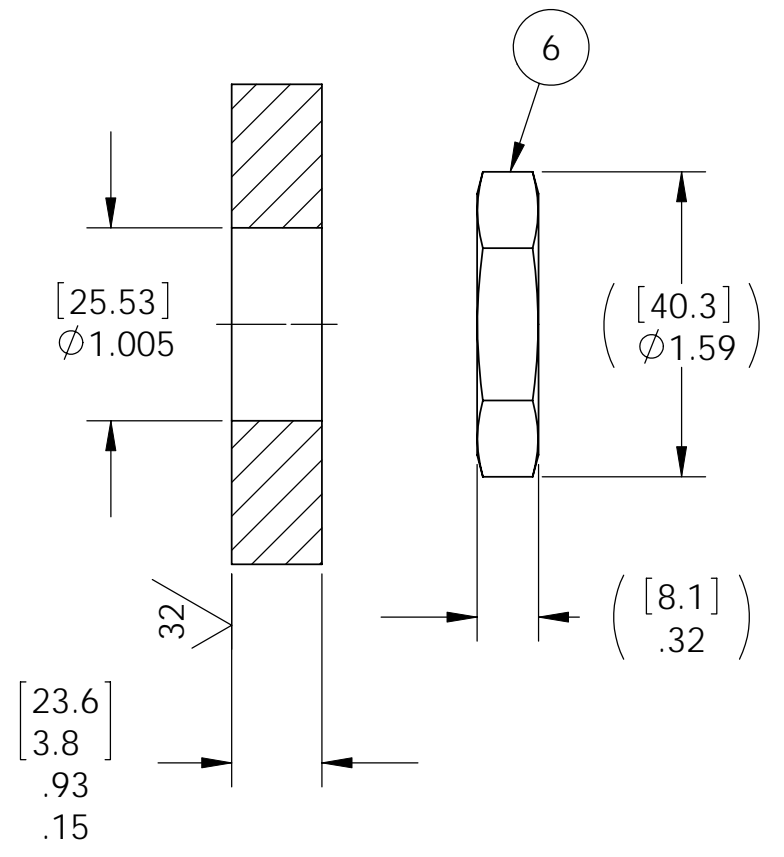


VS15L INSTALLATION PORT



NOTES:

1. HE LEAK TEST VACUUM  $10 \times 10^{-7}$  CC/SEC OR LESS.
2. HYPOT 630 VDC 500 MEGOHMS MINIMUM 0.01 SECOND MINIMUM PIN TO PIN AND HOUSING WITH MATING CONNECTORS.
3. ALL TESTS ARE PERFORMED AT ROOM TEMPERATURE.
4. ALL PARTS MUST PASS ALL TESTS.
5. VOIDS LARGER THAN  $\phi 0.035$  [.89] ARE NOT ACCEPTABLE.
6. ITEMS 7, 8, & 9 ARE INCLUDED (NOT SHOWN) UNLESS "NP" IS ADDED TO THE PAVE PART NUMBER & DESCRIPTION. 4199NP DOES NOT INCLUDE PLUGS OR STRAIN RELIEFS.
7. REF-OPERATING TEMPERATURE  $-20^{\circ}\text{C}$  TO  $120^{\circ}\text{C}$ .
8. DIMENSIONS ARE INCHES [millimeters].
9. PAVE-SEAL CAN BE A BI-DIRECTIONAL HERMETIC SEAL FOR VACUUM AND MOST PRESSURES. FOR PRESSURES ABOVE 150 PSI (10 BAR), CHECK WITH SALES ENGINEERING.

9	2	M85049/38-11N	*SEE NOTE 6	STRAIN RELIEF 38999 SHELL 11
8	1	26FB5SN	*SEE NOTE 6	PLUG 5#20 SOCKET
7	1	26FB5PN	*SEE NOTE 6	PLUG 5#20
6	1	0183		NUT VS15-SS
5	A/R	PAVE-Seal 150		EPOXY BLACK
4	1	-215 VITON		O-RING -215 VITON 75
3	1	20FB5PN		RCPT 5#20 PIN
2	1	20FB5SN		RCPT 5#20 SOC
1	1	0161		HOUSING VS15L-SS
ITEM	QTY	PART NUMBER		DESCRIPTION

**PAVE technology co.**

2751 Thunderhawk Court  
Dayton, OH 45414-3445  
U.S.A.  
tel (937) 890-1100  
fax (937) 8905165  
www.pavetechnologyco.com

DESCRIPTION  
VS15L-SS-150-5-20-20FB5PSN

PART NUMBER  
**4200**

MATERIAL NOTED

REVISION LEVEL  
A

PROJECTION

ALL DIMENSIONS AND TOLERANCES APPLY TO FINISHED PART IN INCHES.  
ALLOWABLE TOLERANCES UNLESS SPECIFIED OTHERWISE: NONE  $\pm 0.5$   
X.X DECIMAL  $\pm 0.1$  X.XX DECIMAL  $\pm 0.02$  X.XXX DECIMAL  $\pm 0.005$   
ANGLES  $\pm 1$  DEGREE SURFACE FINISH 128 microinch RMS