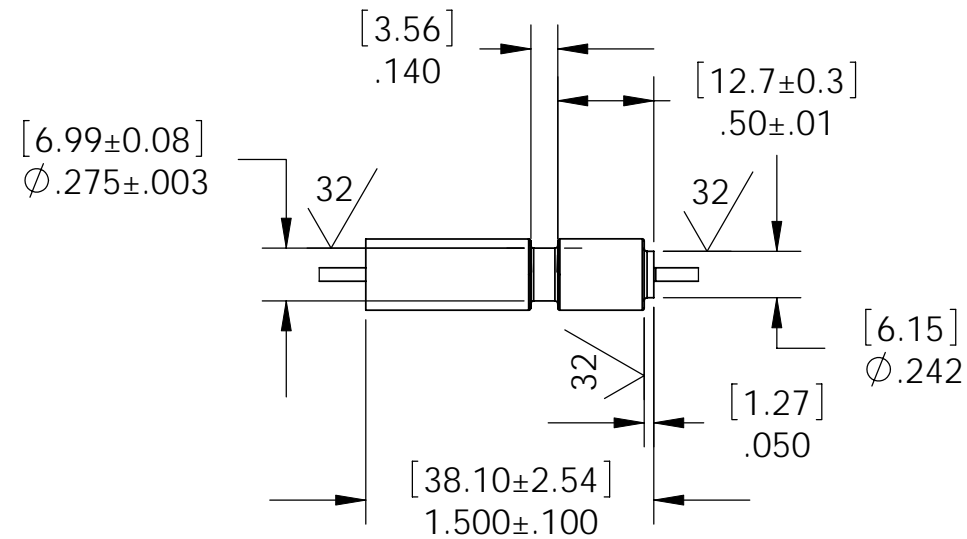


ADDITIONAL HOUSING DETAILS  
(O-RINGS & BACKUP RING REMOVED FOR CLARITY)



NOTES:

1. LEAK TEST: 10,000 PSI, NO N2 BUBBLES 30 SECONDS MINIMUM. A GREEN PAINT DOT INDICATES THE PART HAS PASSED THE TEST.
2. CUSTOMER QUALIFICATION TEST: 24,000 PSI BURST.
3. HYPOT 630 VDC 500 MEGOHMS MINIMUM 0.01 SECOND MINIMUM CENTER CONDUCTOR TO SHIELD.
4. ALL TESTS ARE PERFORMED AT ROOM TEMPERATURE.
5. ALL PARTS MUST PASS ALL TESTS.
6. WIRE POSITIONING IS APPROXIMATE & VARIABLE.
7. NO COSMETIC SURFACE VOIDS ARE ACCEPTABLE ON O-RING SEALING SURFACES, COSMETIC SURFACE VOIDS SMALLER THAN  $\phi 0.035$  [0.89] ARE ACCEPTABLE ON ALL OTHER SURFACES.
8. REF-OPERATING TEMPERATURE -20°C TO 125°C.
9. DIMENSIONS ARE INCHES [millimeters].
10. PAVE-SEAL CAN BE A BI-DIRECTIONAL HERMETIC SEAL FOR VACUUM AND MOST PRESSURES. FOR PRESSURES ABOVE 150 PSI (10 BAR), CHECK WITH SALES ENGINEERING.

5	A/R	PARKER O-LUBE	LUBRICANT O-RING BARIUM-BASED
4	1	B/U RING -010	BACK UP RING -010 SINGLE TURN PER MS28774
3	2	-010 VITON	O-RING -010 VITON 75
2	1	RG178	WIRE COAX M17/93 FEP/TFE 7#38 SPCS
1	A/R	PAVE-Seal 150	EPOXY BLACK
ITEM	QTY	PART NUMBER	DESCRIPTION

		2751 Thunderhawk Court Dayton, OH 45414-3445 U.S.A. tel (937) 890-1100 fax (937) 8905165 www.pavetechnologyco.com	
		DESCRIPTION SP6H-E-150-1-RG178-18-18	
PART NUMBER <b>4792</b>		MATERIAL NOTED	
REVISION LEVEL -		PROJECTION	

ALL DIMENSIONS AND TOLERANCES APPLY TO FINISHED PART IN INCHES.  
 ALLOWABLE TOLERANCES UNLESS SPECIFIED OTHERWISE: NONE ±0.5  
 X.X DECIMAL ±0.1 X.XX DECIMAL ±0.02 X.XXX DECIMAL ±0.005  
 ANGLES ±1 DEGREE SURFACE FINISH 128 microinch RMS