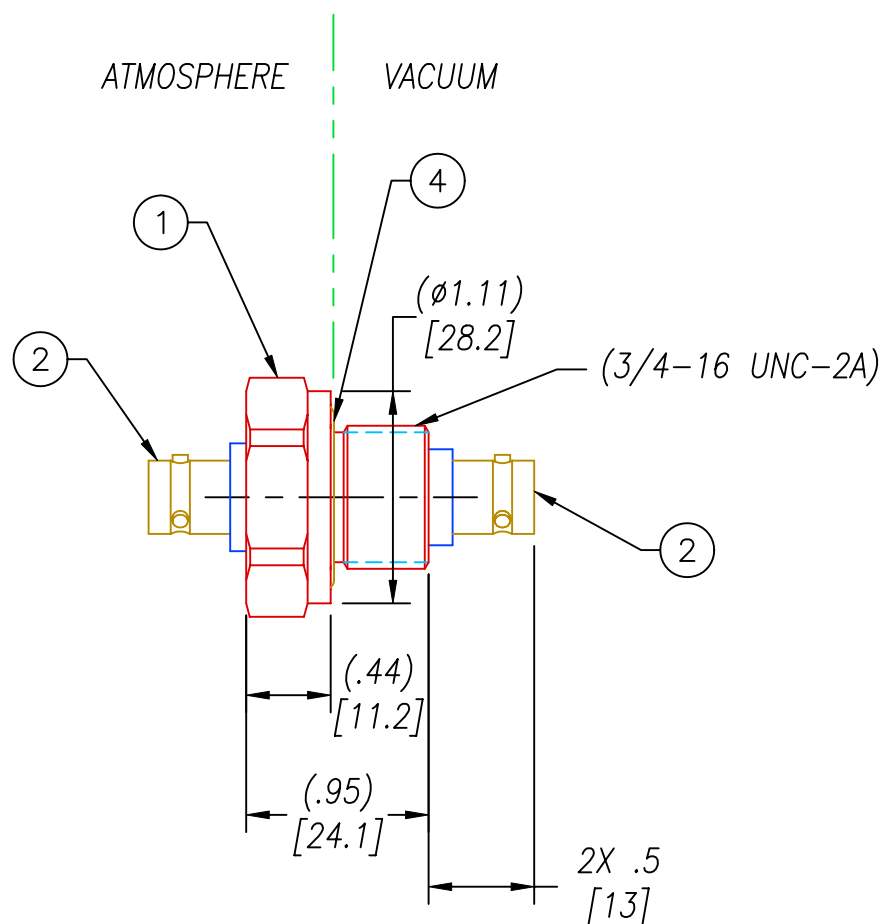
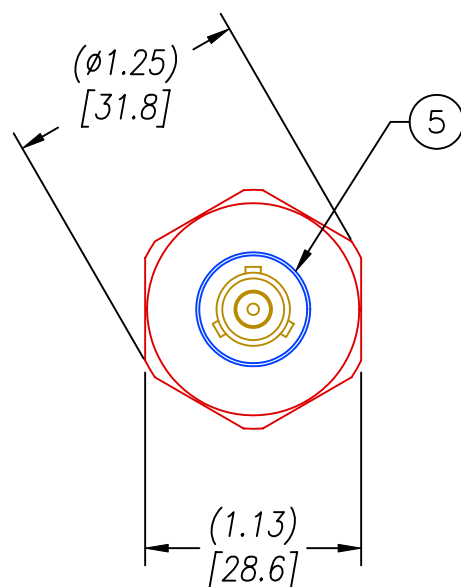
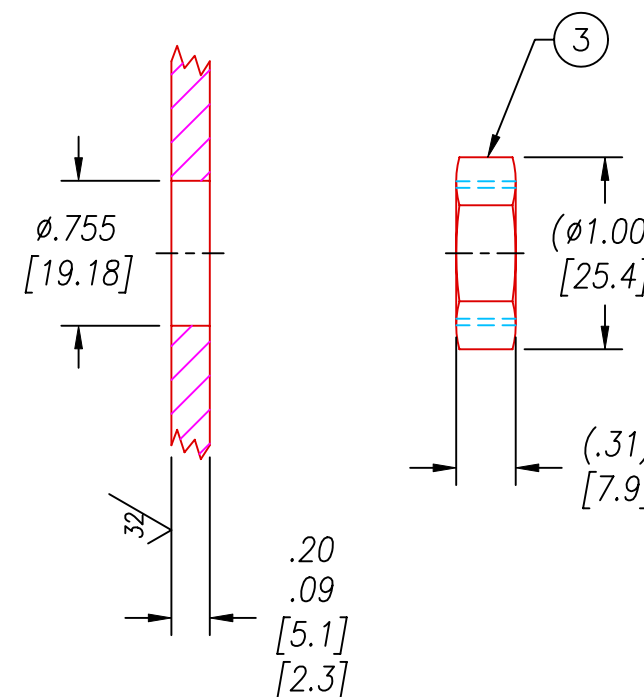


PAVE#	ITEM 4	ITEM 4 DESCRIPTION	TEMPERATURE RANGE
1155	-116 VITON	O-RING -116 VITON 75	-20°C TO 125°C
1155-1	-116 VITON LT	O-RING -116 VITON LOW-TEMP 75	-40°C TO 125°C



VS12 INSTALLATION PORT



NOTES:

- HE LEAK TEST @1 ATM.  $1 \times 10^{-6}$  CC/S OR LESS. A GREEN PAINT DOT INDICATES PART HAS PASSED THE TEST.
- HYPOT 630 VDC 500 MΩ 0.01 SEC MINIMUM, <0.5 Ω CONTINUITY, CONDUCTOR TO INNER SHIELD, OUTER SHIELD, AND HOUSING WITH MATING CONNECTORS.
- ALL TESTS ARE PERFORMED AT ROOM TEMPERATURE.
- ALL PARTS MUST PASS ALL TESTS.
- REF-OPERATING TEMPERATURE RANGE PER TABLE.
- NO COSMETIC SURFACE VOIDS LARGER THAN  $\phi 0.035$  [0.89] ARE ACCEPTABLE.
- DIMENSIONS ARE INCHES [millimeters].
- PAVE-SEAL CAN BE A BI-DIRECTIONAL HERMETIC SEAL FOR VACUUM AND MOST PRESSURES. FOR PRESSURES ABOVE 150 PSI (10 BAR), CHECK WITH SALES ENGINEERING.
- ALCOHOL OR FOMBLIN YVAC 3 MAY BE USED TO LUBE O-RINGS FOR VACUUM HELIUM LEAK TESTING.

5	A/R	PAVE-Seal 150	EPOXY BLACK
4	1	SEE TABLE	SEE TABLE
3	1	4034	NUT VS12-SS
2	2	BJ77	FRONT MOUNT B/H JACK TWINAX 500MHZ
1	1	1156	HOUSING VS12-SS
ITEM #	QTY	PART NUMBER	DESCRIPTION

ALL DIMENSIONS AND TOLERANCES APPLY TO FINISHED PART IN INCHES  
 ALLOWABLE TOLERANCES UNLESS SPECIFIED OTHERWISE: NONE +/-0.5  
 .X DECIMAL +/- 0.1 .XX DECIMAL +/- 0.02 .XXX DECIMAL +/-0.005  
 ANGLES +/- 1 DEG SURFACE FINISH 128 microinch RMS



DESCRIPTION	PAVE-Mate® I Connectors	
	VS12-SS-150-1-TWINAX-TWINAX	
PART NUMBER	*SEE TABLE	REVISION LEVEL
1155*		J
	PROJECTION	