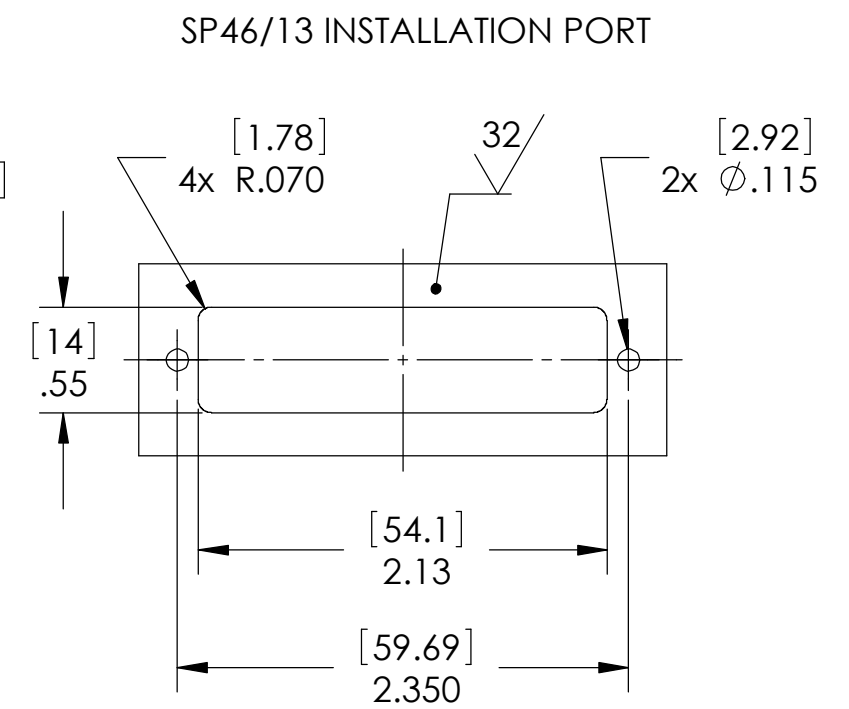
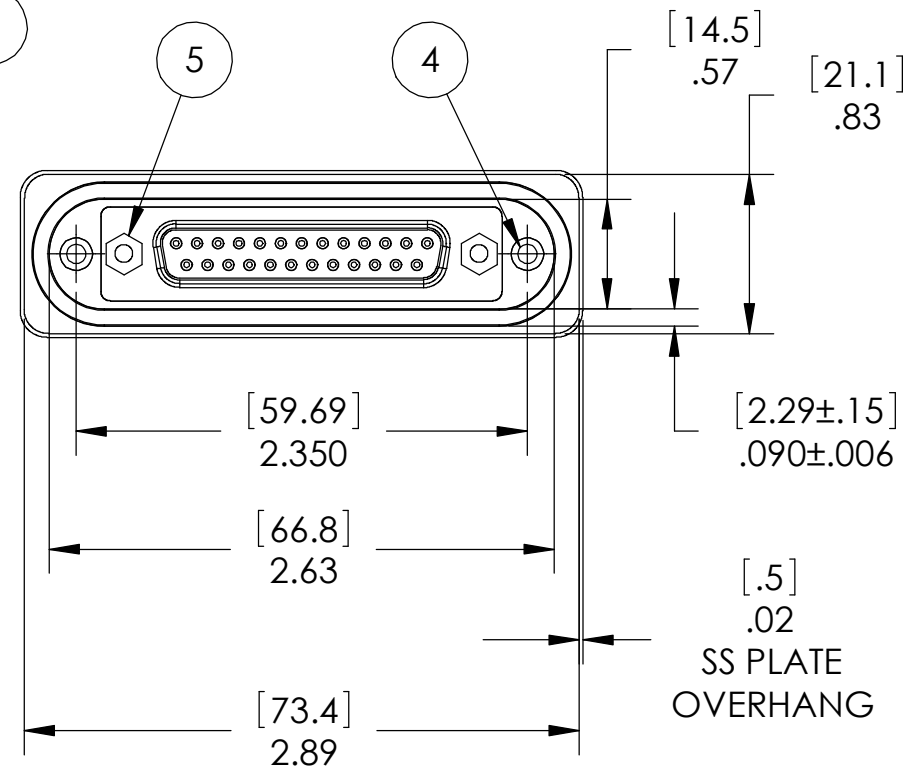
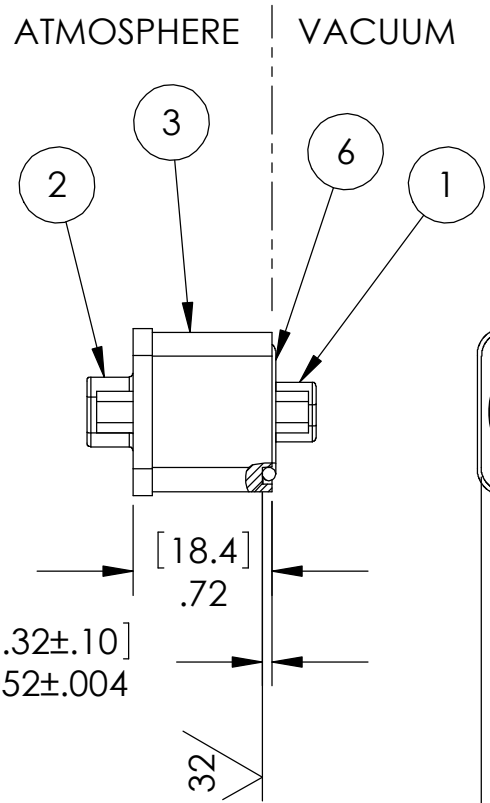
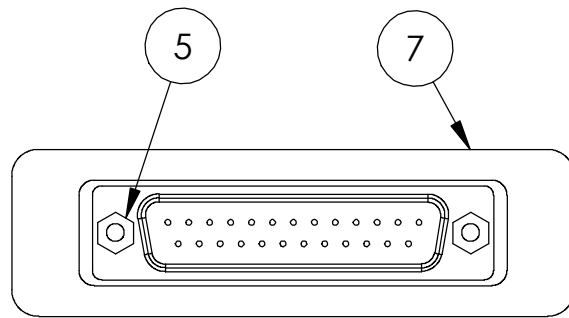
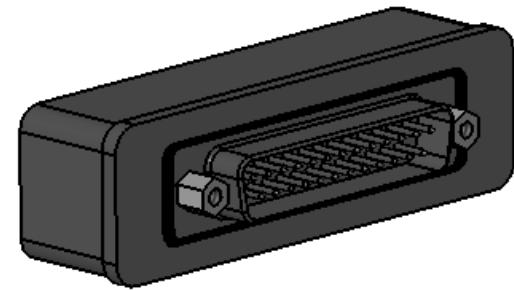


PAVE#	ITEM 6	ITEM 6 DESCRIPTION	TEMPERATURE RANGE
3420	-032 VITON	O-RING -032 VITON 75	-20 °C TO 105 °C
3420-1	-032 VM835-75	O-RING -032 VM835-75 VITON	-40 °C TO 105 °C



NOTES:

- HE LEAK TEST @ 1 ATM 1X10⁻⁶ CC/SEC OR LESS. A GREEN PAINT DOT INDICATES THE PART HAS PASSED THE TEST.
- HYPOT 630 VDC 500 MEGOHMS MINIMUM 0.01 SECOND MINIMUM WIRE TO WIRE AND RECEPTACLE FLANGES.
- ALL TESTS ARE PERFORMED AT ROOM TEMPERATURE.
- ALL PARTS MUST PASS ALL TESTS.
- NO COSMETIC SURFACE VOIDS ARE ACCEPTABLE ON O-RING SEALING SURFACES, COSMETIC SURFACE VOIDS SMALLER THAN Ø.035 [0.89] ARE ACCEPTABLE ON ALL OTHER SURFACES.
- CONTINUITY TEST <.5 Ohms PINS TO SOCKETS.
- REF-OPERATING TEMPERATURE RANGE PER TABLE.
- DIMENSIONS ARE INCHES [millimeters].
- APPENDING THE PAVE PART NUMBER WITH A "R" INDICATES THE PART IS REVERSED WITH SOCKETS ON THE ATMOSPHERE SIDE AND PINS ON THE VACUUM SIDE. (E.G., 3420-R, 3420-1R)

7	1	3420PG2C	PLATE TOP SS
6	1	SEE TABLE	SEE TABLE
5	4	JACKPOST 4-40	"P" STYLE 4-40 UNC
4	2	YARDLEY#440A5-8	THREADED INSERT SS
3	A/R	PAVE-Seal 150	EPOXY BLACK
2	1	171-025-103L001	PLUG D-SUB 25 PIN PBT INSULATOR, NICKEL PLATED STEEL SHELL, GOLD PLATED BRASS PINS
1	1	171-025-203L001	RCPT D-SUB 25 SOCKET PBT INSULATOR, NICKEL PLATED STEEL SHELL, GOLD PLATED BRASS SOCKETS
ITEM	QTY	PART NUMBER	DESCRIPTION

ALL DIMENSIONS AND TOLERANCES APPLY TO FINISHED PART IN INCHES.
ALLOWABLE TOLERANCES UNLESS SPECIFIED OTHERWISE: NONE ±0.5
XX DECIMAL ±0.1 X.XX DECIMAL ±0.02 X.XXX DECIMAL ±0.005
ANGLES ±1 DEGREE SURFACE FINISH 128 microinch RMS

PAVE technology co.

2751 Thunderhawk Court
Dayton, OH 45414-3445
U.S.A.
tel (937) 890-1100
fax (937) 8905165
www.pavetechnologyco.com

DESCRIPTION
SP46/13-E-150-25-20-DSUB-DSUB

PART NUMBER 3420* *SEE TABLE & NOTE 9

MATERIAL NOTED

REVISION LEVEL F

PROJECTION