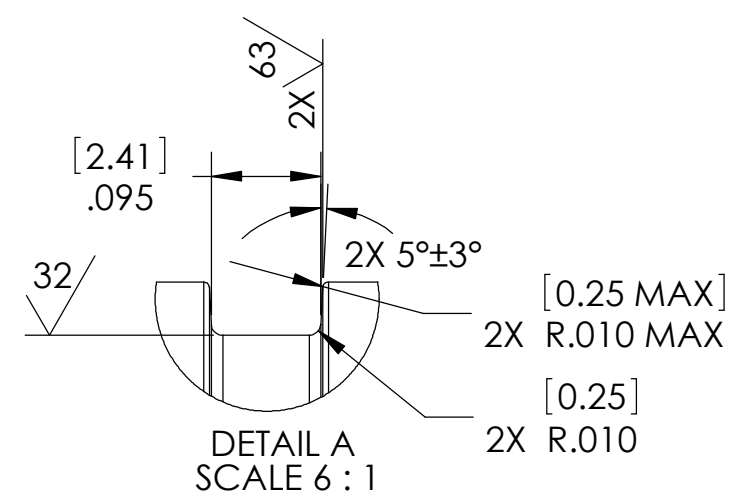


RECOMMENDED RETAINING RING
TRUARC N5000-56 OR EQUAL

4664-1	19.0±0.2 [482.6±5.0]	29.75±0.2 [755.6±5.0]
4664	4.0±0.1 [102±3]	14.6±0.1 [371±3]
PART #	"X"	"Y"



NOTES:

- LEAK TEST: 80 PSI, NO BUBBLES 30 SECONDS MINIMUM. A GREEN PAINT DOT INDICATES PART HAS PASSED THE TEST.
- HYPOT 630 VDC 500 MEGOHMS MINIMUM 0.01 SECOND MINIMUM WIRE TO WIRE.
- ALL TESTS ARE PERFORMED AT ROOM TEMPERATURE.
- ALL PARTS MUST PASS ALL TESTS.
- WIRES ARE NOT REQUIRED TO BEND SHARPLY AT EPOXY SEAL SURFACE.
- WIRE POSITIONING IS APPROXIMATE & VARIABLE.
- COSMETIC SURFACE VOIDS NOT ON O-RING SEALING SURFACES ARE ACCEPTABLE BASED ON THE SEAL'S DIAMETER:
 <= .5 [12.7] SEAL DIAMETER: ϕ .035 [.89] MAX ALLOWED VOID SIZE
 > .5 [12.7] SEAL DIAMETER: ϕ .060 [1.5] MAX ALLOWED VOID SIZE
- REF-OPERATING TEMPERATURE -20°C TO 150°C.
- REF-PARTS ARE DEFLASHED ON PARTING LINE +0.005 [0.13] MAXIMUM.
- PAVE-SEAL CAN BE A BI-DIRECTIONAL HERMETIC SEAL FOR VACUUM AND MOST PRESSURES. FOR PRESSURES ABOVE 150 PSI (10 BAR), CHECK WITH SALES ENGINEERING.
- DIMENSIONS ARE INCHES [millimeters].

5	A/R	PARKER O-LUBE	LUBRICANT O-RING BARIUM-BASED
4	2	-012 VITON	O-RING -012 VITON 75
3	1	TZ14 RED /34	WIRE 14TZ MIL-W-22759/34-14-2
2	1	TZ14 BLK /34	WIRE 14TZ MIL-W-22759/34-14-0
1	A/R	PAVE-Seal 200UL94	EPOXY BLACK
ITEM	QTY	PART NUMBER	DESCRIPTION

PAVE technology co.
 2751 Thunderhawk Court
 Dayton, OH 45414-3445
 U.S.A.
 tel (937) 890-1100
 fax (937) 8905165
 www.pavetechnologyco.com

DESCRIPTION: SP8C-E-200UL94-2-TZ14-X-10 *SEE TABLE

PART NUMBER: 4664 MATERIAL: NOTED

REVISION LEVEL: F PROJECTION:

ALL DIMENSIONS AND TOLERANCES APPLY TO FINISHED PART IN INCHES.
 ALLOWABLE TOLERANCES UNLESS SPECIFIED OTHERWISE: NONE ±0.5
 X.X DECIMAL ±0.1 X.XX DECIMAL ±0.02 X.XXX DECIMAL ±0.005
 ANGLES ±1 DEGREE SURFACE FINISH 128 microinch RMS