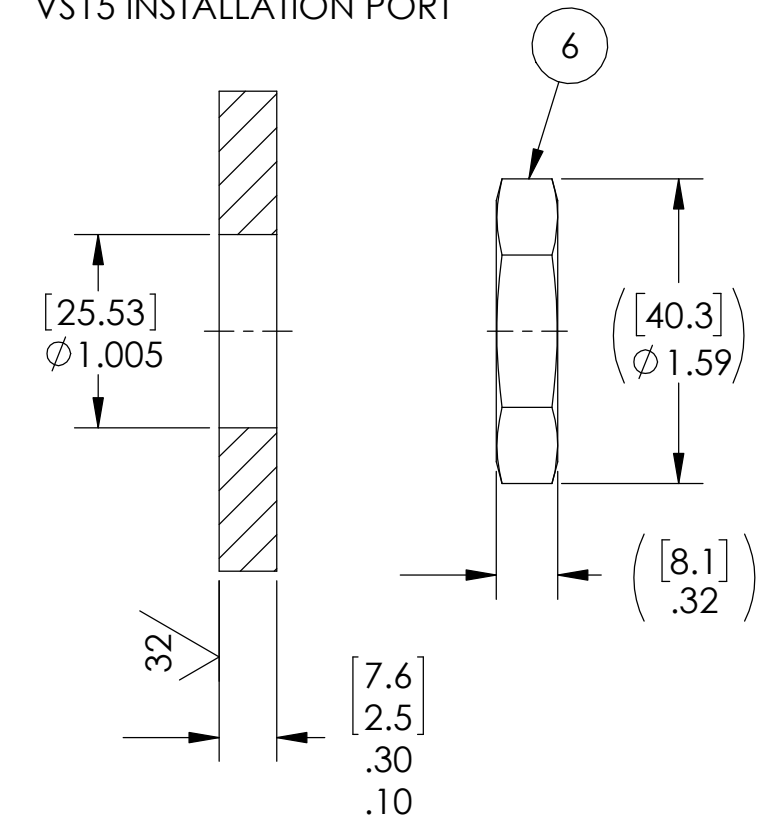


VS15 INSTALLATION PORT



NOTES:

1. HE LEAK TEST @ 1 ATM. 1X10⁻⁷ CC/SEC OR LESS. A GREEN PAINT DOT ON THE ATMOSPHERE SIDE INDICATES THE PART HAS PASSED THE TEST.
2. PART IS FUNCTIONALLY TESTED WITH MATING USB 3.0 CABLES AND A PC TO TRANSFER A FILE AT FASTER THAN 90Mbps.
3. ALCOHOL OR FOMBLIN YVAC 3 MAY BE USED TO LUBRICATE O-RINGS FOR VACUUM HELIUM LEAK TESTING.
4. ALL TESTS ARE PERFORMED AT ROOM TEMPERATURE.
5. ALL PARTS MUST PASS ALL TESTS.
6. COSMETIC SURFACE VOIDS NOT ON O-RING SEALING SURFACES ARE ACCEPTABLE BASED ON THE SEAL'S DIAMETER:
 <= .5 [12.7] SEAL DIAMETER: ϕ .035 [.89] MAX ALLOWED VOID SIZE
 > .5 [12.7] SEAL DIAMETER: ϕ .060 [1.5] MAX ALLOWED VOID SIZE
7. REF-OPERATING TEMPERATURE RANGE -20 °C TO 85 °C.
8. DIMENSIONS ARE INCHES [millimeters].
9. PAVE-SEAL CAN BE A BI-DIRECTIONAL HERMETIC SEAL FOR VACUUM AND MOST PRESSURES. FOR PRESSURES ABOVE 150 PSI (10 BAR), CHECK WITH SALES ENGINEERING.

ITEM	QTY	PART NUMBER	DESCRIPTION
6	1	0183	NUT VS15-SS
5	1	-215 VITON	O-RING -215 VITON 75
4	A/R	FIT-221L 1/2"	TUBING SHRINK LSZH POLYOLEFIN BLACK
3	1	AC-USB3-AAB	ADAPTER USB3.0 TYPE A FEMALE (2X) CROSSOVER PCB
2	A/R	PAVE-Seal 150	EPOXY BLACK
1	1	0159	HOUSING VS15-SS

PAVE technology co.

2751 Thunderhawk Court
Dayton, OH 45414-3445
U.S.A.
tel (937) 890-1100
fax (937) 8905165
www.pavetechnologyco.com

DESCRIPTION
VS15-SS-150-1-USBAfemale CROSSOVER USB3.0

PART NUMBER
5607

MATERIAL NOTED

REVISION LEVEL -

PROJECTION

ALL DIMENSIONS AND TOLERANCES APPLY TO FINISHED PART IN INCHES.
 ALLOWABLE TOLERANCES UNLESS SPECIFIED OTHERWISE: NONE ±0.5
 X.X DECIMAL ±0.1 X.XX DECIMAL ±0.02 X.XXX DECIMAL ±0.005
 ANGLES ±1 DEGREE SURFACE FINISH 128 microinch RMS